

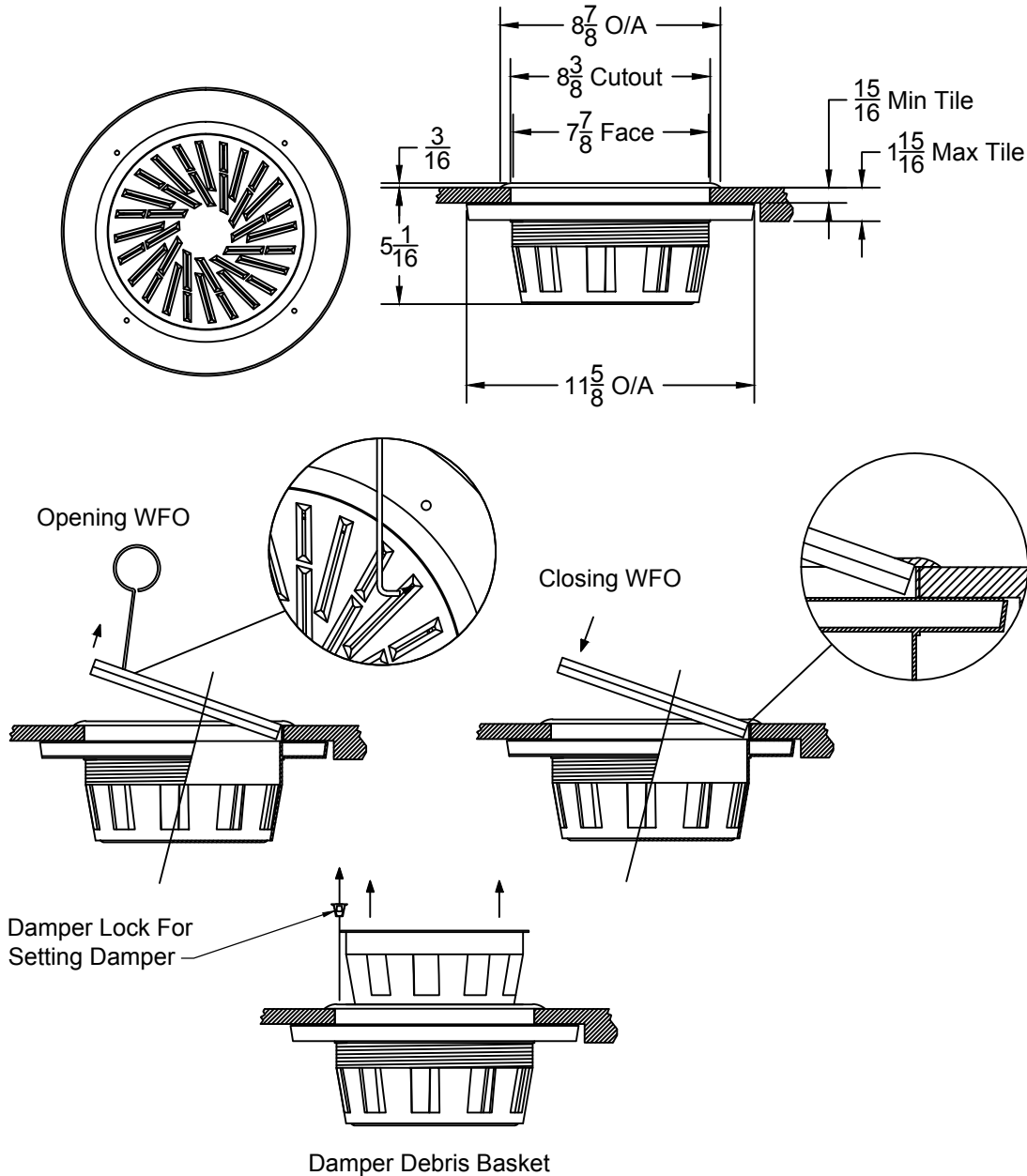
Project:
 Tag:
 Engineer:
 Contractor:
 Date:



Submittal: WFO

Polymer Under Floor Diffuser

Models: WFO



Notes: (check if provided)

1. Available Finishes	2. Available Accessories	3. Available Options	4. Construction Details
Standard Finish: Slate Grey Finish			<ul style="list-style-type: none"> Heavy Duty Glass Reinforced Polycarbonate