

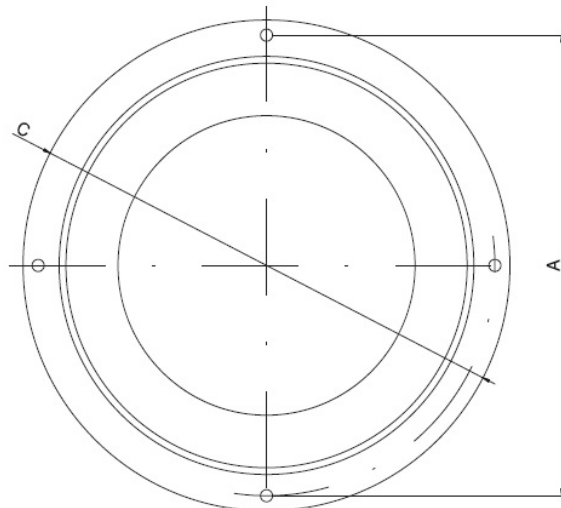
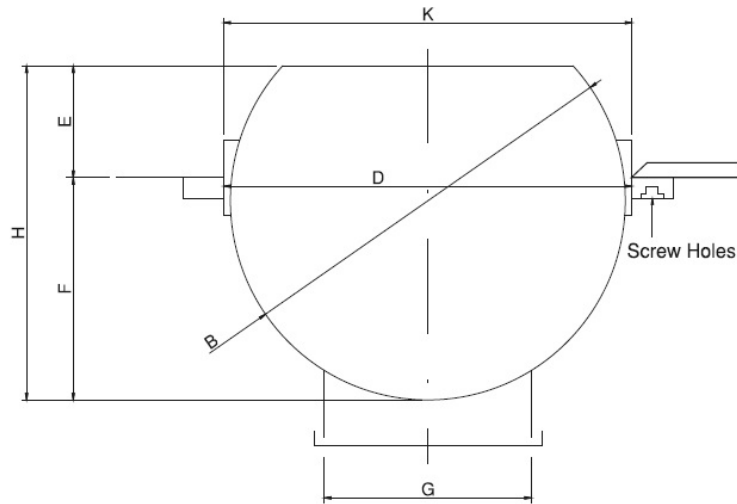


MODEL JA

Project:
Tag:
Engineer:
Contractor:
Date:

JET NOZZLE TYPE JA

MEASURE	A	B	C	D	E	F	G	H	K	Screw holes
JA 3	97	75	115	82	17	53	38	70	85	3
JA 4	122	100	140	107	24	65	50	89	111	4
JA 5	152	130	170	137	33	82	65	115	140	5
JA 6	172	150	190	158	38	94	75	132	161	5
JA 7	213	178	231	185	38	111	90	149	190	5
JA 8	232	200	250	204	44	120	100	164	208	5
JA 10	304	267	324	276	50	174	140	224	280	5
JA 12	342	305	363	314	63	200	165	263	318	5



AVAILABLE FINISHES

STANDART FINISH:

01 WHITE (RAL 9016)

OPTIONAL FINISH (NO EXTRA CHARGE):

06 MILL FINISH 02 WHITE (RAL 9010)

OPTIONAL FINISH (ADDITIONAL CHARGE):

03 SATIN SILVER 07 CUSTOM COLOR/ SETUP CHARGE

04 ANODIZED 08 RAL...../ SETUP CHARGE

05 BLACK

As part of our continuous improvement program, we reserve the right to make further improvements without notice.

Date submitted: