



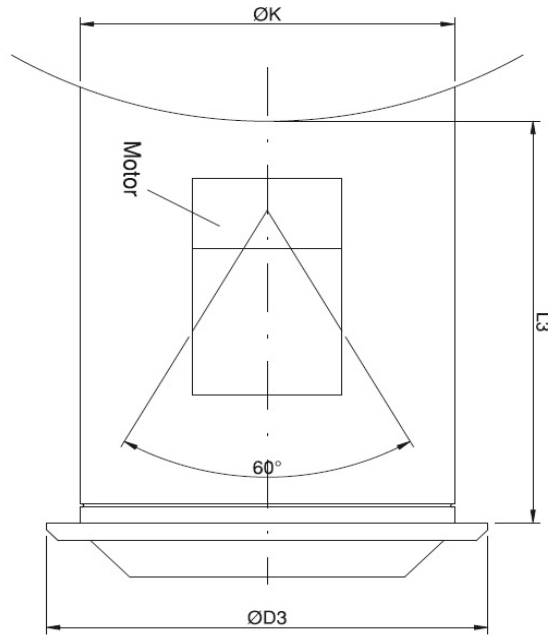
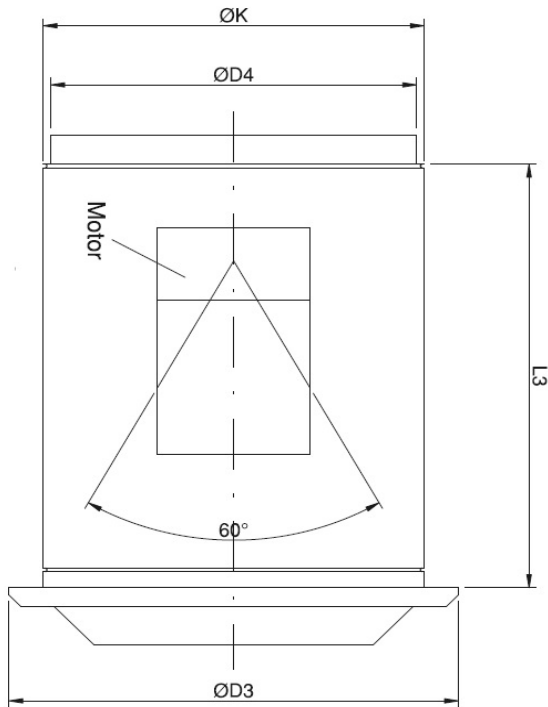
MODEL DUK-M

Project:
Tag:
Engineer:
Contractor:
Date:

Jet Nozzle Diffuser Type DUK-M

MODEL	D3	D4	E	K	L2
100	146	98	11	134	78
125	140	123	11	157	86
160	200	158	11	188	98
200	257	198	16	242	117
250	302	248	16	287	155
315	384	248	23	358	183
400	467	398	24	441	208

CIRCULAR DUCT INSTALLATION



AVAILABLE FINISHES

STANDART FINISH:

01 WHITE (RAL 9016)

OPTIONAL FINISH (NO EXTRA CHARGE):

06 MILL FINISH 02 WHITE (RAL 9010)

OPTIONAL FINISH (ADDITIONAL CHARGE):

03 SATIN SILVER 07 CUSTOM COLOR/ SETUP CHARGE

04 ANODIZED 08 RAL...../ SETUP CHARGE

05 BLACK

As part of our continuous improvement program, we reserve the right to make further improvements without notice.

Date submitted: