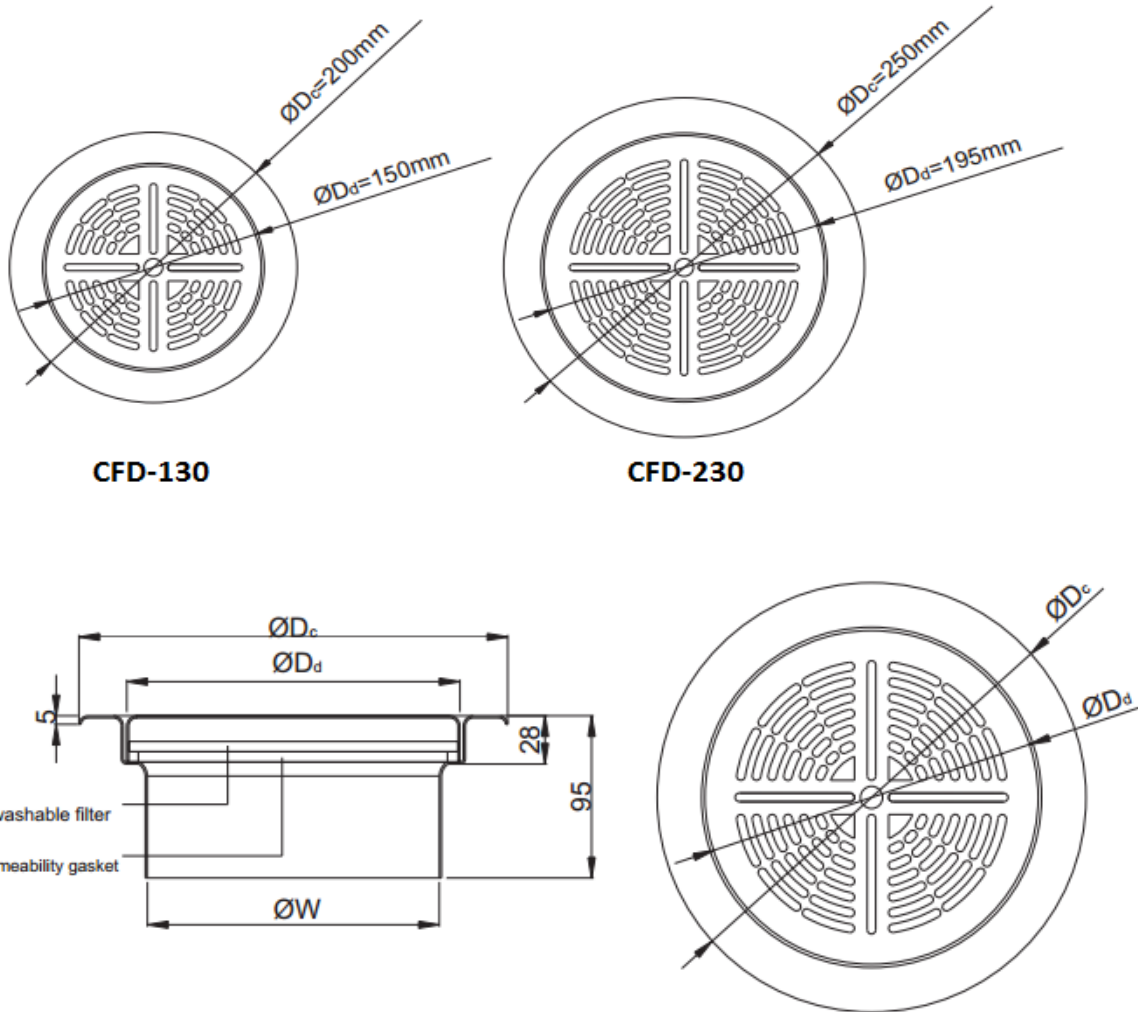


| |
|-------------|
| Project: |
| Tag: |
| Engineer: |
| Contractor: |
| Date: |

Circular Floor Diffuser



CFD-130/230 STANDARD SELECTION TABLE

| Model | ØW(mm) | ØDd(mm) | ØDc(mm) | Aeff. (m ²) |
|---------|--------|---------|---------|-------------------------|
| CFD-130 | 120 | 150 | 200 | 0,0049 |
| CFD-230 | 171 | 195 | 250 | 0,0088 |

AVAILABLE FINISHES

STANDART FINISH:

01 WHITE (RAL 9016)

OPTIONAL FINISH (NO EXTRA CHARGE):

06 MILL FINISH 02 WHITE (RAL 9010)

OPTIONAL FINISH (ADDITIONAL CHARGE):

03 SATIN SILVER 07 CUSTOM COLOR/ SETUP CHARGE
 04 ANODIZED 08 RAL...../ SETUP CHARGE
 05 BLACK

ØDc(mm) : Floor diffuser core diameter
 ØDd(mm) : Diffuser surface diameter
 ØW(mm) : Floor diffuser neck diameter
 Aeff. (m²) : Effective area

As part of our continuous improvement program, we reserve the right to make further improvements without notice.

Date submitted: