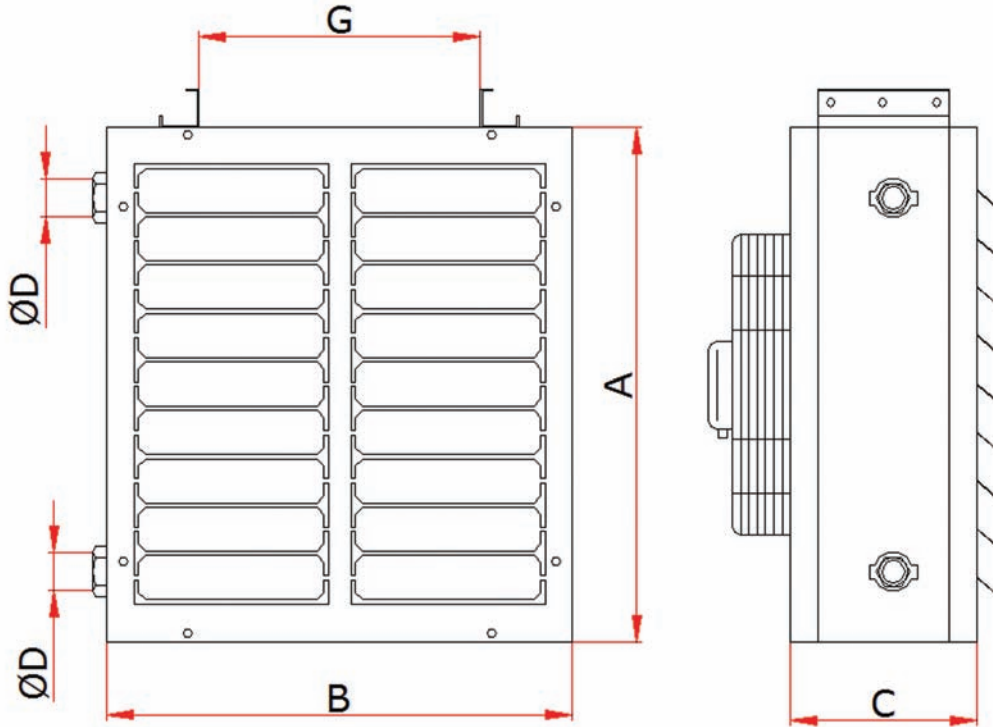




MODEL APER

Project:
Tag:
Engineer:
Contractor:
Date:

Air Heater Units



UNIT HEATER DIMENSION TABLE									
MODELS	AIR FLOW RATE (m ³ /h)	Capacity (kcal/h)		SIZE (mm)				WATER INLET-OUTLET (mm)	
		90/70 °C Hot water	Steam (2-4 bar)	A	B	C	G	ØD	Ød
APER-4	650 / 800	4,000	7,000	450	440	210	230	3/4"	3/4"
APER-6		6,000	9,000						
APER-8	1200 / 1400	8,000	12,500						
APER-10		10,000	15,800						
APER-12	1500 / 1700	12,000	17,000	585	530	250	320	1"	1"
APER-16	1800 / 2200	16,000	24,000						
APER-20	2700 / 3000	20,000	26,000						
APER-24		24,000	32,000						
APER-28	2700 / 3000	28,000	34,500	600	650	250	440	1"	1"
APER-32	3500 / 3700	32,000	44,000	680	750	250	540	1"	1"
APER-40	4700 / 5300	40,000	56,000						

* all dimensions are mm.

As part of our continuous improvement program, we reserve the right to make further improvements without notice.

Date submitted: