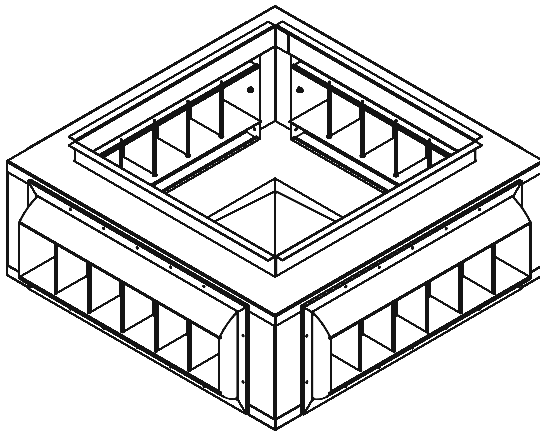


Drop Box Diffusers

Standard Construction

- *18ga. Galvanized Steel
- *20ga. Pyramid Air Diverter
- *1" Acoustical Duct Liner Insulation for noise control
- *Top Flange for Duct Connection
- *14 Ga. Mounting Brackets
- *Double Deflection Drum Louvers
- *Painted White

Note: Drop box diffuser with double deflection drum louvers. Typically used in high ceiling applications.

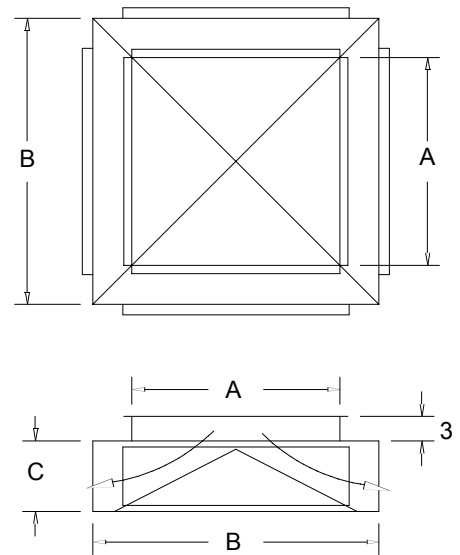


| QTY | MODEL | TAG |
|-----|-------|-----|
| | | |
| | | |
| | | |

Optional Construction

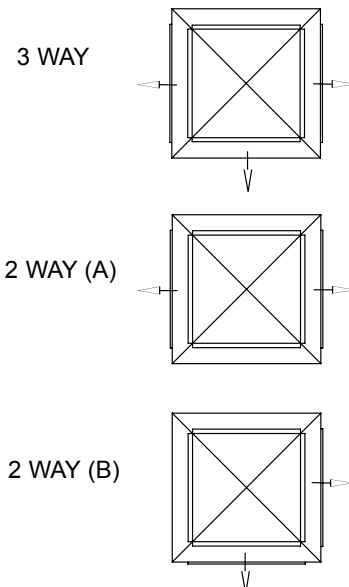
- Heavier Gauge Construction
- Opposed Blade Dampers
- Standard Double Deflection Grilles

check all that apply



| Drop Box Model No. | Box Type | Total CFM | Louver Size | Dim. A | Dim. B | Dim. C |
|----------------------|----------|-----------|-------------|--------|--------|--------|
| DBD -1-5-4 | 4-way | 2000 | 6 x 12 | 14 | 22 | 9 |
| DBD -1-5-3 | 3-way | 2000 | 6 x 18 | 19 | 28 | 9 |
| DBD -1-5-2 (A or B) | 2-way | 2000 | 10 x 25 | 28 | 35 | 13 |
| DBD -1-7-4 | 4-way | 3000 | 6 x 18 | 19 | 28 | 9 |
| DBD -1-7-3 | 3-way | 3000 | 10 x 25 | 28 | 35 | 13 |
| DBD -1-7-2 (A or B) | 2-way | 3000 | 10 x 25 | 28 | 35 | 13 |
| DBD -1-8-4 | 4-way | 3400 | 6 x 24 | 20 | 34 | 9 |
| DBD -1-8-3 | 3-way | 3400 | 10 x 20 | 24 | 30 | 13 |
| DBD -1-8-2 (A or B) | 2-way | 3400 | 12 x 30 | 30 | 40 | 15 |
| DBD -1-10-4 | 4-way | 4000 | 10 x 20 | 24 | 30 | 13 |
| DBD -1-10-3 | 3-way | 4000 | 10 x 25 | 28 | 35 | 13 |
| DBD -1-10-2 (A or B) | 2-way | 4000 | 12 x 30 | 30 | 40 | 15 |
| DBD -1-12-4 | 4-way | 5000 | 10 x 20 | 24 | 30 | 13 |
| DBD -1-12-3 | 3-way | 5000 | 12 x 30 | 30 | 40 | 15 |
| DBD -1-12-2 (A or B) | 2-way | 5000 | 12 x 50 | 30 | 40 | 15 |
| DBD -1-15-4 | 4-way | 6000 | 10 x 25 | 28 | 35 | 13 |
| DBD -1-15-3 | 3-way | 6000 | 12 x 30 | 30 | 40 | 15 |
| DBD -1-15-2 (A or B) | 2-way | 6000 | 12 x 50 | 38 | 58 | 15 |
| DBD -1-20-4 | 4-way | 8000 | 12 x 30 | 30 | 40 | 15 |
| DBD -1-20-3 | 3-way | 8000 | 12 x 50 | 38 | 58 | 15 |
| DBD -1-20-2 (A or B) | 2-way | 8000 | 15 x 50 | 38 | 59 | 19 |
| DBD -1-25-4 | 4-way | 10000 | 12 x 30 | 30 | 40 | 15 |
| DBD -1-30-4 | 4-way | 12000 | 12 x 50 | 38 | 58 | 15 |

Optional Configurations

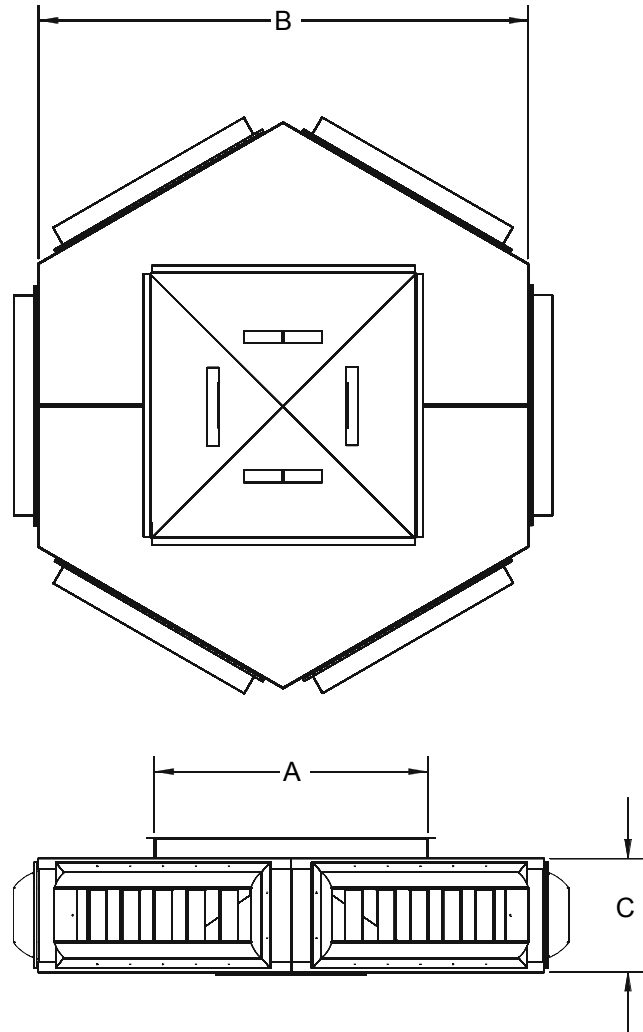
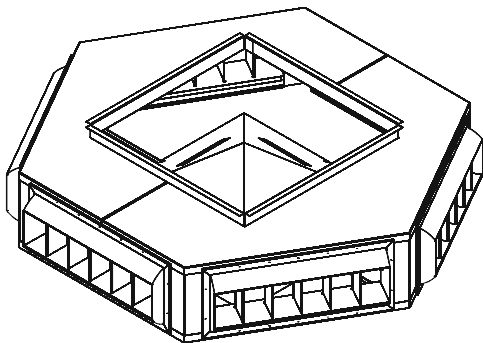


Standard Construction

- *18ga. Galvanized Steel
- *20ga. Pyramid Air Diverter
- *1" Acoustical Duct Liner Insulation for noise control
- *Top Flange for Duct Connection
- *14 Ga. Mounting Brackets
- *Double Deflection Drum Louvers
- *Painted White
- *Double Deflection Base Louver on 20-25 Tons

Note: Drop box diffuser with double deflection drum louvers. Typically used in high ceiling applications.

| QTY | MODEL | TAG |
|-----|-------|-----|
| | | |
| | | |
| | | |



Optional Construction

- Heavier Gauge Construction
- Opposed Blade Dampers
- Standard Double Deflection Grilles

check all that apply

| Drop Box Model No. | Box Type | Total CFM | Louver Size | Dim. A | Dim. B | Dim. C |
|--------------------|----------|------------|-------------|--------|--------|--------|
| DBD -2-5 | 6-way | 2000 | 6 x 12 | 14 | 33 | 9 |
| DBD -2-10 | 6-way | 4000 | 6 x 18 | 22 | 49 | 9 |
| DBD -2-20 | 6-way | 6000-7000 | 10 x 25 | 28 | 56 | 13 |
| DBD -2-25 | 6-way | 8000-10000 | 12 x 30 | 36 | 67 | 15 |