

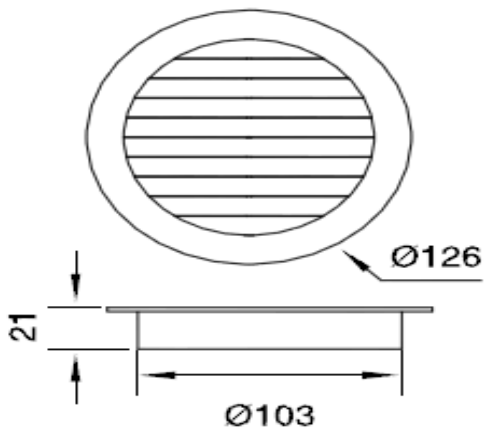


SUBMITAL AND DRAWING
MODEL-PYP

REGISTER&GRILLES

PROJECT :
ENGINEER :
CONTRACTOR :
SUBMITTED BY :
DATE :

Ø100mm Louver



Ø200mm Louver

