

**DESCRIPTION:**

PKLP : Special design for heating, cooling, ventilation and air conditioning systems operating at low and medium pressure. Used in air ducts for supply and return air. The aerodynamic design offers very low pressure loss. Convenient for wall and ceiling application.

MATERIAL:

All made of ABS plastic

FUNCTION:

Its all-plastic construction appeals to all living spaces thanks to its powerful blowing and suction performance, high surface quality and temperature resistance. Plastic Linear grille increases indoor air quality. At the same time energy, cost and time are saved.

FINISHING:

Standard White ABS plastic.

INSTALLATION :

System with hidden screws is standard.

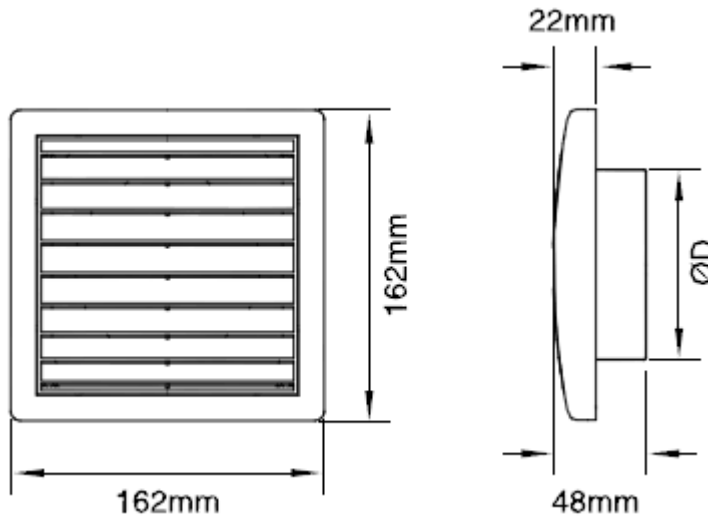
ACCESSORIES:

Mosquito net upon request

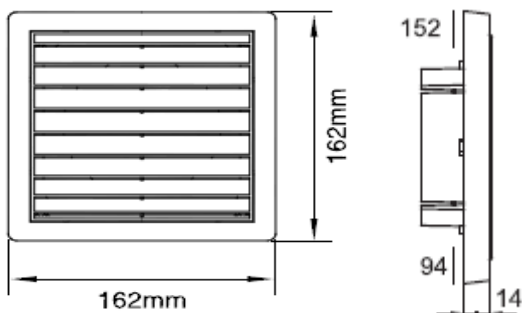


STANDARD SIZES (mm):

Fixed Diameter: D: Ø100, Ø125 and Ø150mm



Adjustable Diameter: D : Ø94-157mm



SELECTION TABLE:

STANDARD DIAMETER (Ø mm)	FLOW (m ³ /h)
FLAT	280
100	140
125	200
150	280
94 - 157	140 - 280



ORDER CODE :

PKLP	W – Behind Flat
-------------	------------------------

- Behind Flat
- Ø100 Fixed Diameter
- Ø125 Fixed Diameter
- Ø150 Fixed Diameter
- Ø94-157 Adjustable Diameter