

**DESCRIPTION:**

P4GP : Special design for heating, cooling, ventilation and air conditioning systems operating at low and medium pressure. Used in air ducts for return air. The aerodynamic design offers very low pressure loss. One way airflow from indoors towards outdoors, Louvers balanced to give good air flow at appropriate pressure level

MATERIAL:

All made of ABS plastic

FUNCTION:

Its all-plastic construction appeals to all living spaces thanks to its powerful blowing and suction performance, high surface quality and temperature resistance. Plastic Four Set Gravity Louvers increases indoor air quality. At the same time energy, cost and time are saved.

FINISHING:

Standard White ABS plastic.

INSTALLATION :

System with hidden screws is standard.

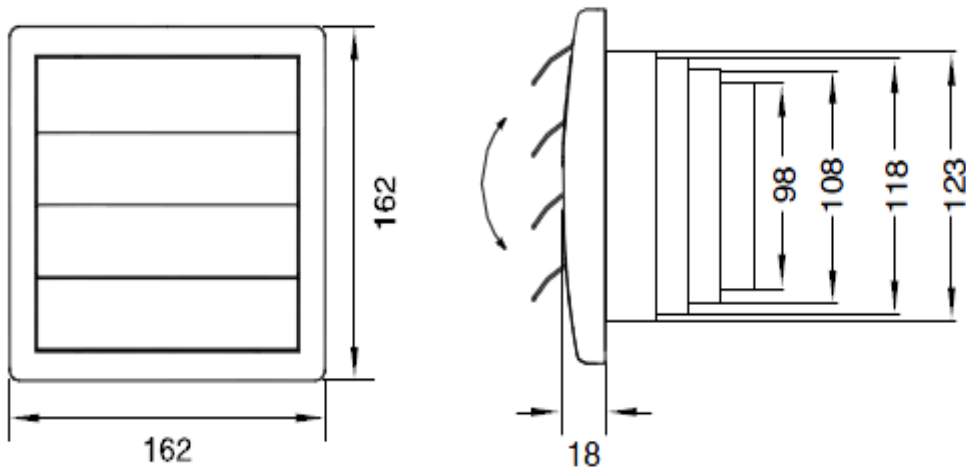
ACCESSORIES:

Mosquito net upon request



STANDARD SIZES (mm):

Fixed Diameter: D: Ø98, Ø108, Ø118 and Ø123mm



SELECTION TABLE:

STANDARD DIAMETER (Ø mm)	FLOW (m ³ /h)
98	150
108	
118	
123	



ORDER CODE :

P4GP	W Ø98-108-118-123
-------------	--------------------------