

**DESCRIPTION:**

PKM: Special design to door mounted for ventilation and air conditioning systems operating at low and medium pressure. Allows air circulation, Overlapping V-shaped blades. The aerodynamic design offers very low pressure loss. Convenient for wall and ceiling application.

MATERIAL:

All made of ABS plastic

FUNCTION:

Its all-plastic construction appeals to all living spaces thanks to its powerful blowing and suction performance, high surface quality and temperature resistance. Plastic Door Transfer Grille increases indoor air quality. At the same time energy, cost and time are saved.

FINISHING:

- Standard White ABS plastic.
- Various color options on demand

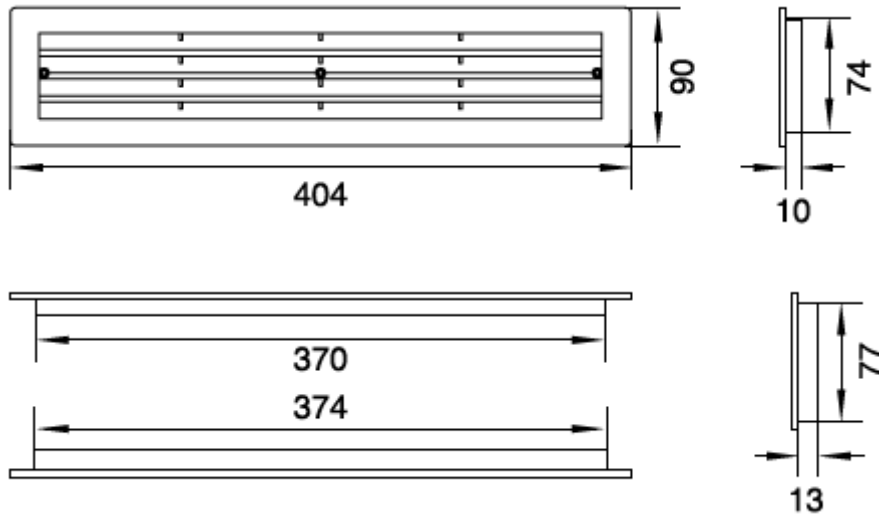
INSTALLATION:

- System with hidden to middle screws is the standard. Both parts of the grill are joined together by screws
- Can be applied with adhesive.

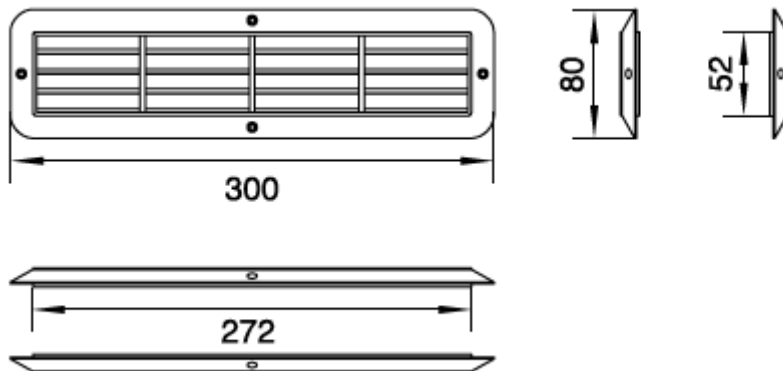


STANDARD SIZES (mm):

400x90mm PKM



300x80mm PKM



SELECTION TABLE:

STANDARD SIZE (mm)	FLOW (m ³ /h)
400x90	300
300x80	195

* Selection Table according to 3,0m / s speed



ORDER CODE :

PKM	C – 400x90
------------	-------------------

C: Frame Size

- 400x90
- 300x80