

**DESCRIPTION:**

PDA : Special design for heating, cooling, ventilation and air conditioning systems operating at low and medium pressure. Used in air ducts for supply and return air. The aerodynamic design offers very low pressure loss.

**MATERIAL:**

All made of ABS plastic

**FUNCTION:**

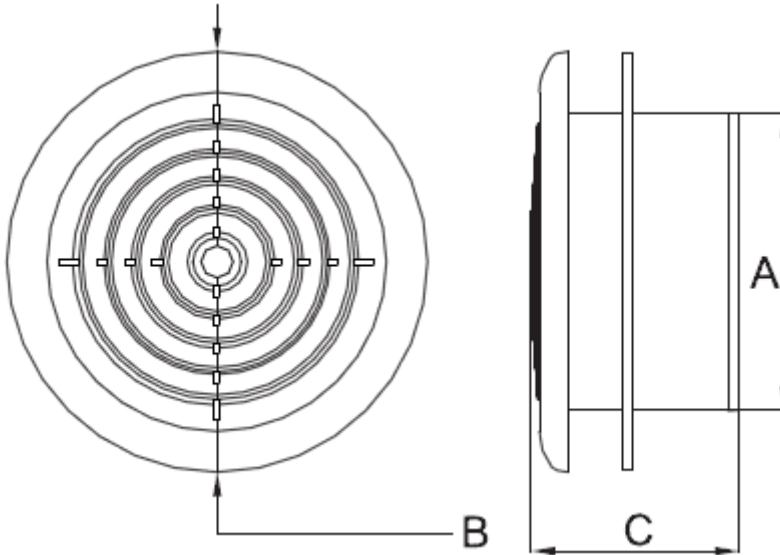
Its all-plastic construction appeals to all living spaces thanks to its powerful blowing and suction performance, high surface quality and temperature resistance. Plastic Ceiling Diffusers increases indoor air quality. At the same time energy, cost and time are saved.

**FINISHING:**

Standard White ABS plastic.

**INSTALLATION :**

System with screws is standard.


**STANDARD SIZES (mm):**

**DIMENSIONS (mm)**

$\varnothing A$	$\varnothing B$	C
$\varnothing 100$	141	70
$\varnothing 125$	166	72
$\varnothing 150$	188	72

**SELECTION TABLE**

STANDARD SIZES ( $\varnothing$ mm)	AIR VOLUME (m <sup>3</sup> /h)
100	140
125	200
150	280



ORDER CODE :

<b>PDA</b>	<b>W Ø 100</b>
	<b>Ø 125</b>
	<b>Ø 150</b>