

**DESCRIPTION:**

PDV : Special design for heating, cooling, ventilation and air conditioning systems operating at low and medium pressure. Used in air ducts for supply and return air. The aerodynamic design offers very low pressure loss.

**MATERIAL:**

All made of ABS plastic

**FUNCTION:**

Its all-plastic construction appeals to all living spaces thanks to its powerful blowing and suction performance, high surface quality and temperature resistance. Plastic Disc Valves increases indoor air quality. At the same time energy, cost and time are saved.

**FINISHING:**

Standard White ABS plastic.

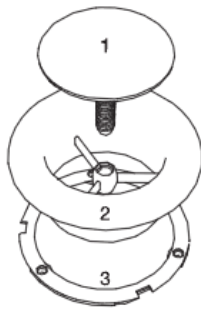
**INSTALLATION :**

System with screws is standard.

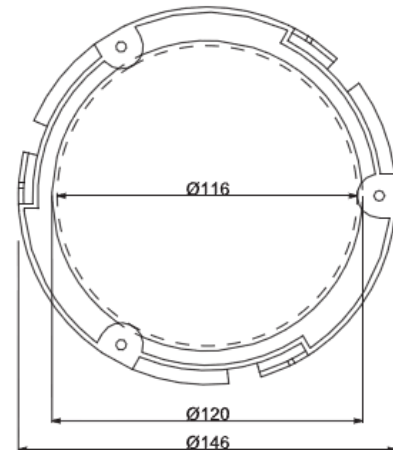
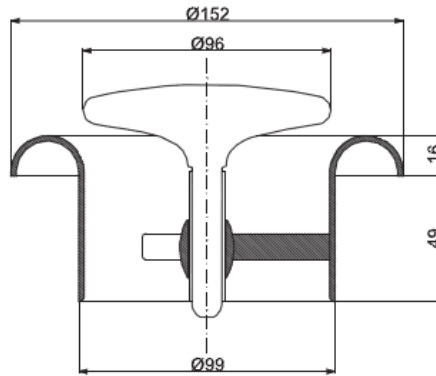


**STANDARD SIZES (mm):**

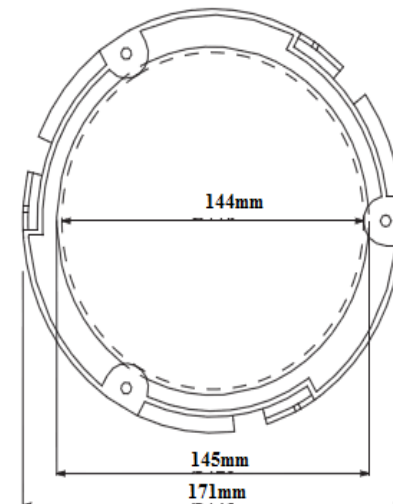
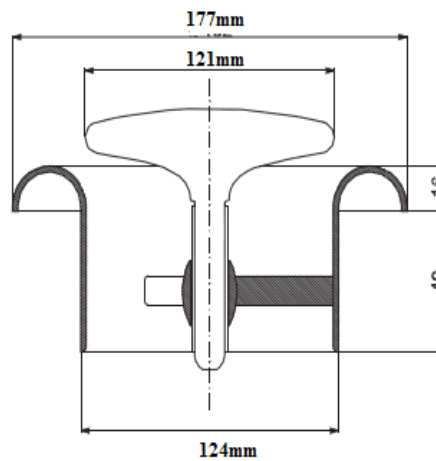
**PDV – Ø100**



1. Cover
2. Body
3. Mounting Bracelet

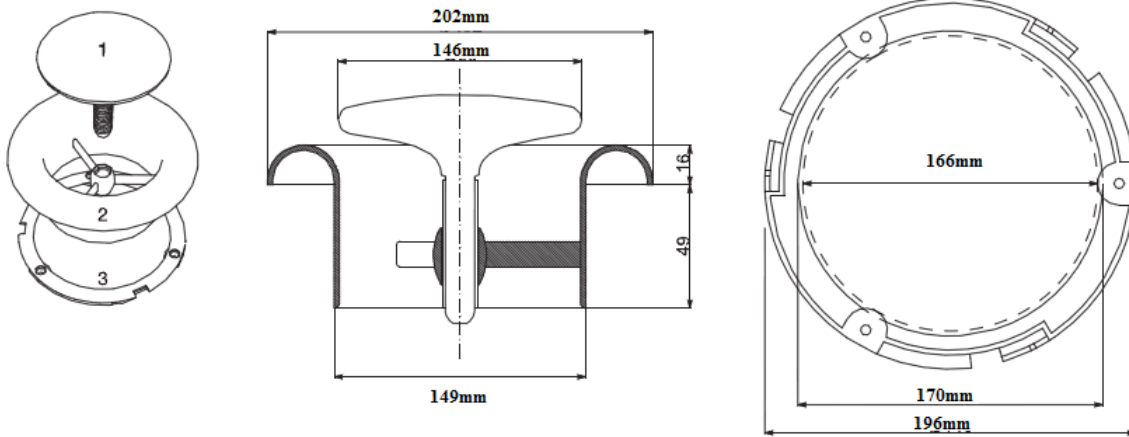


**PDV – Ø125**

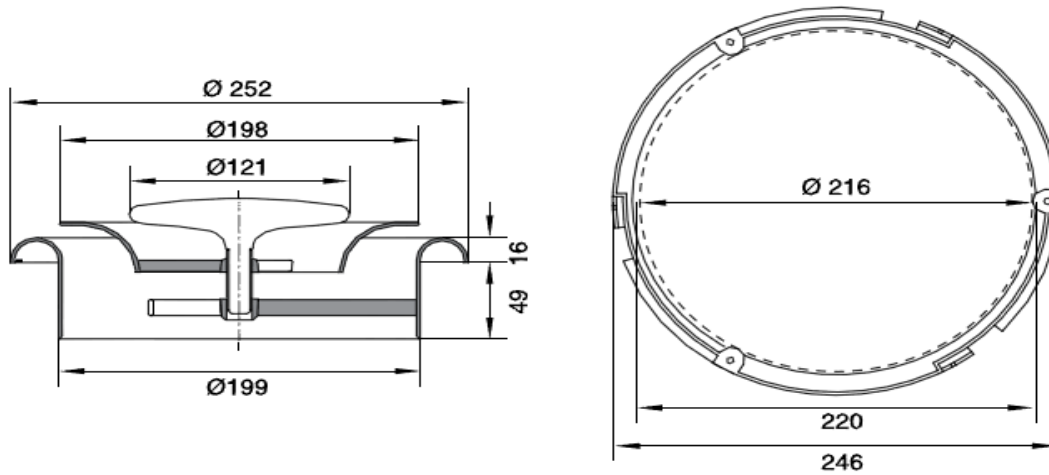




PDV – Ø150

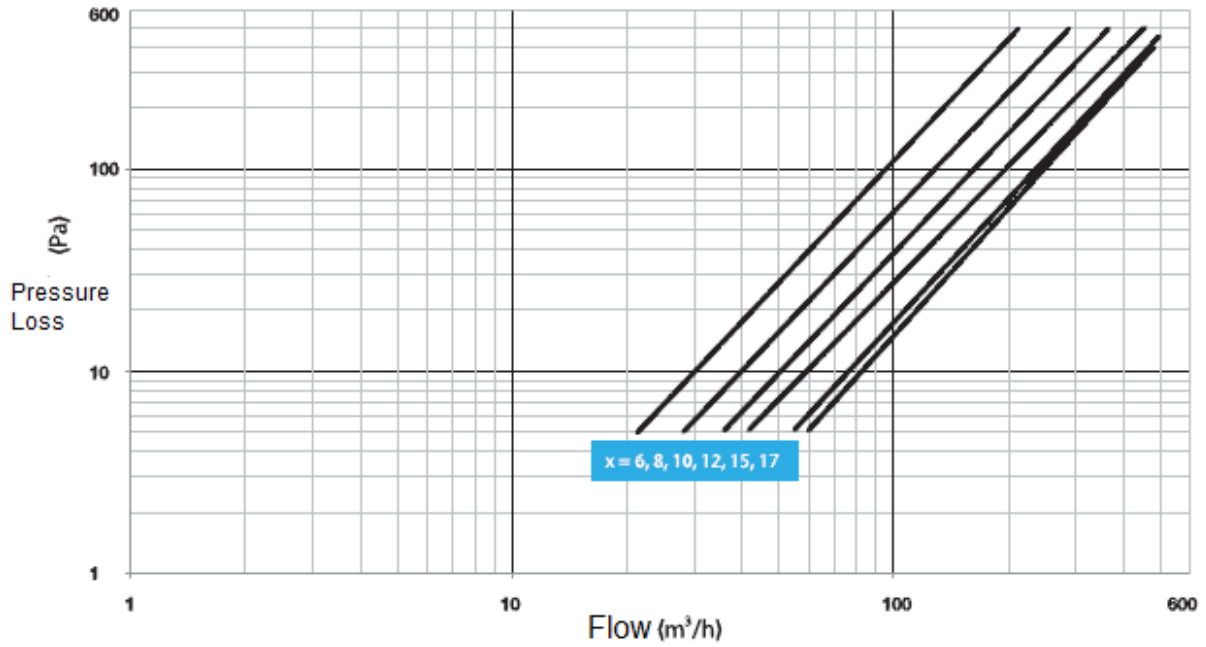


PDV – Ø200





## PRESSURE LOSS



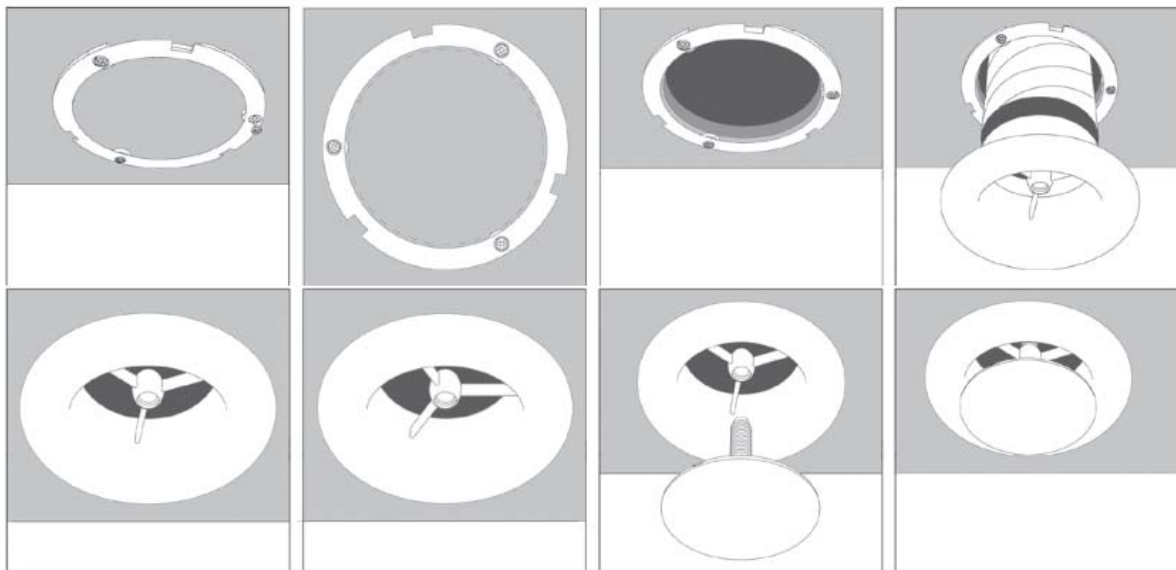
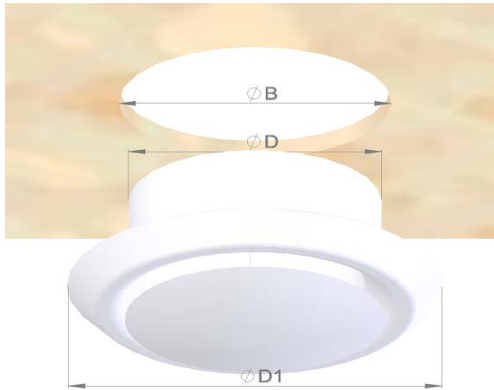
## SELECTION TABLE

| Standart ölçüler<br>Standard sizes (ø) | Debi<br>Air volume(m³/h) |
|--|--------------------------|
| 100                                    | 140                      |
| 125                                    | 200                      |
| 150                                    | 280                      |
| 200                                    | 350                      |



## MOUNTING DETAILS

### 1. Screw Mounting Details





ORDER CODE :

|            |               |
|------------|---------------|
| <b>PDV</b> | <b>W Ø100</b> |
|            | <b>Ø125</b>   |
|            | <b>Ø150</b>   |
|            | <b>Ø200</b>   |