

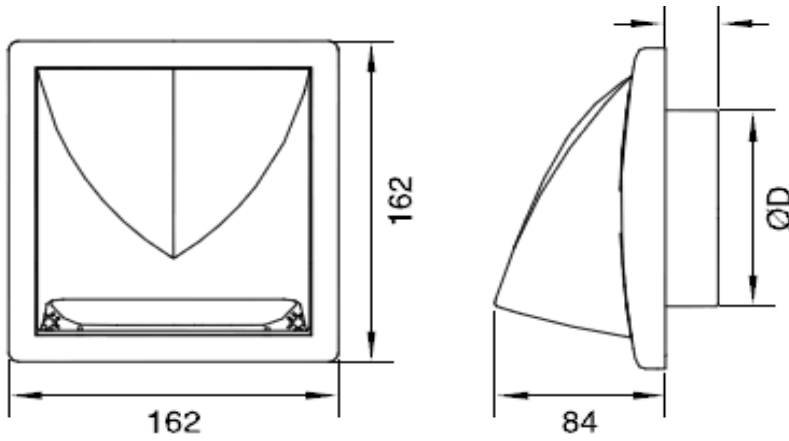


SUBMITAL AND DRAWING
MODEL-PKP

REGISTER&GRILLES

PROJECT :
ENGINEER :
CONTRACTOR :
SUBMITTED BY :
DATE :

Fixed Diameter: D: Ø100, Ø125 and Ø150mm



Adjustable Diameter: D : Ø94-157mm

