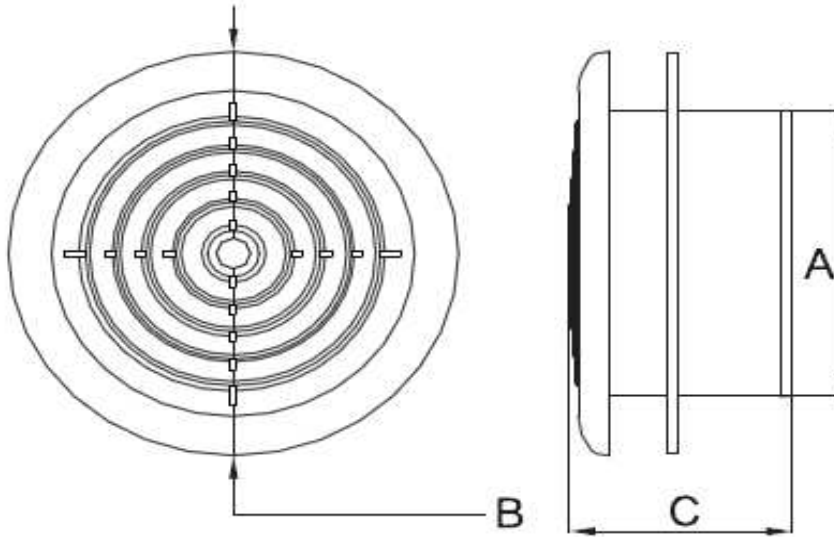




SUBMITAL AND DRAWING  
MODEL-PDA

REGISTER&GRILLES

PROJECT : .....  
ENGINEER : .....  
CONTRACTOR : .....  
SUBMITTED BY : .....  
DATE : .....



DIMENSIONS (mm)		
Ø A	Ø B	C
Ø 100	141	70
Ø 125	166	72
Ø 150	188	72