



**Fire Damper
YD443**

**DESCRIPTION:**

The fire damper is used as a shut-off device to prevent fire and smoke from spreading through ducting in areas with potentially explosive atmospheres. The fire damper is suitable for supply air and extract air systems in potentially explosive atmospheres. For the operation of the fire damper, the operating and installation manual and the technical data in the supplementary operating manual must be observed.

MATERIAL :

Galvanized Metal Sheet

APPLICATIONS :

Large circular fire damper for the isolation of duct penetrations between fire compartments, available in nine nominal sizes

- Nominal sizes: 315 – 800 mm
- For mortar-based installation in solid walls, ceiling slabs and lightweight partition walls
- Dry mortarless installation into lightweight partition walls
- Low differential pressure and sound power level
- Flanges as an option
- Explosion-proof construction (ATEX) as an option
- Optional stainless steel casing or powder-coated casing for increased corrosion protection

CLASSIFICATION

- Class of performance to EN 13501-3, up to EI 120

OPTIONAL EQUIPMENT AND ACCESSORIES

- Electric actuator 24 V/230 V
- Release temperature 72/95 °C
- Duct smoke detectors

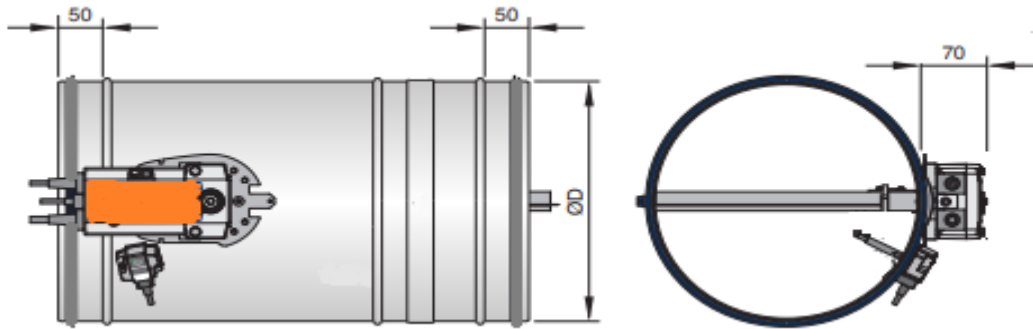


STANDARD SIZES (mm):

AVAILABLE SIZES (mm)															
Ø NECK DIAMETER															
100	125	150	160	180	200	224	250	280	300	315	355	400	450	500	560
X	X	X	X	X	X	X	X	X	X	X	X	X	X	X	X

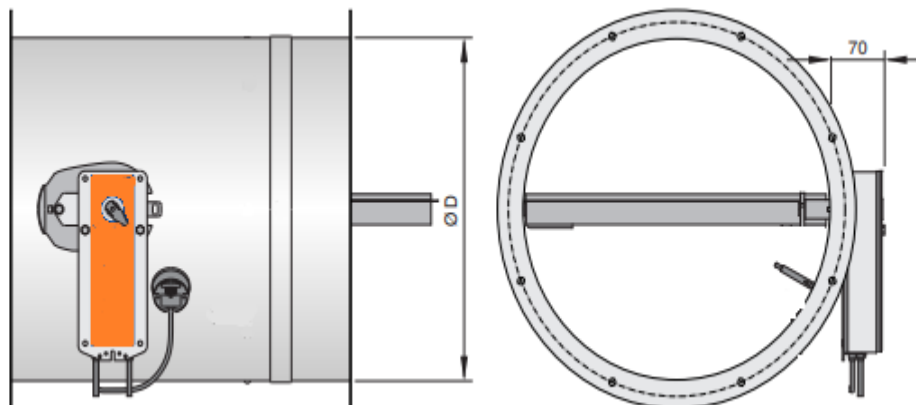
DRAWING

Without Flange



Nominal size DN	315	355	400	450	500	560	630	710	800
ØD	314	354	399	449	499	559	629	709	799

With Flange



Nominal size DN	315	355	400	450	500	560	630	710	800
ØD	314	354	399	449	499	559	629	709	799



SELECTION TABLES

EFFECTIVE AREA TABLE (m²)

∅ D (mm)	150	200	250	300	350	400	500	600	700	800	900	1000
A _{eff} [m ²]	0,012	0,024	0,040	0,059	0,083	0,111	0,178	0,260	0,359	0,473	0,602	0,748

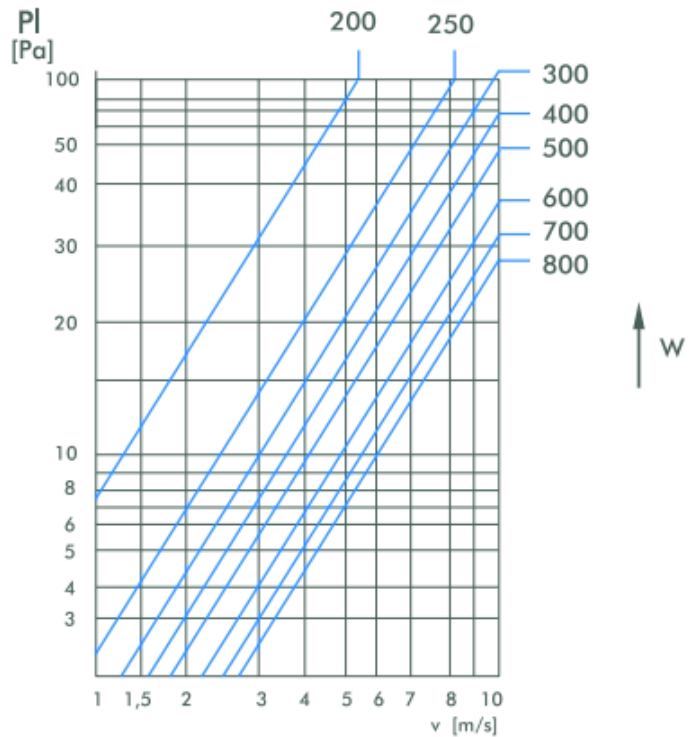
PRESSURE LOSS DIAGRAM

$P_t = P_l \cdot f$

P_t = Corrected pressure loss [Pa]

P_l = Pressure loss on the diagram [Pa]

f = Pressure correction factor

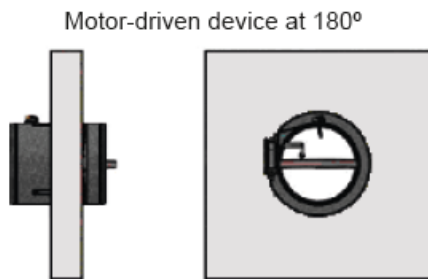
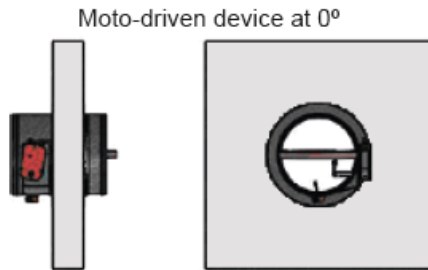




Installation & Assembly

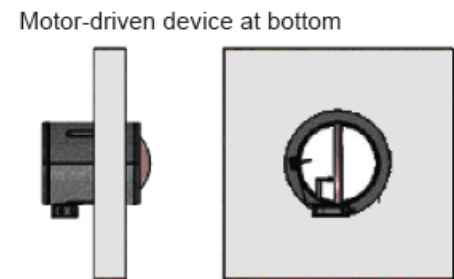
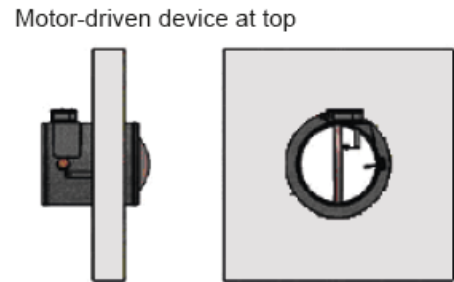
CORRECT INSTALLATION

Motor-driven



INCORRECT INSTALLATION

Motor-driven





ORDER CODE

YD-443	F25	00	L350	D Ø300mm
<p>FD-443: Round, without Flange, with Motor FD-444: Round, with Flange, with Motor</p>		<p>Diameter D: Neck Size</p> <p>S: Standad (H+50mm) L: Requested Product Length (custom choice)</p>		
<p>F00: No Flange F25: Flange Width = 25mm F30: Flange Width = 30mm</p>		<p>00: Standard Duct Connection 01: with flange</p>		