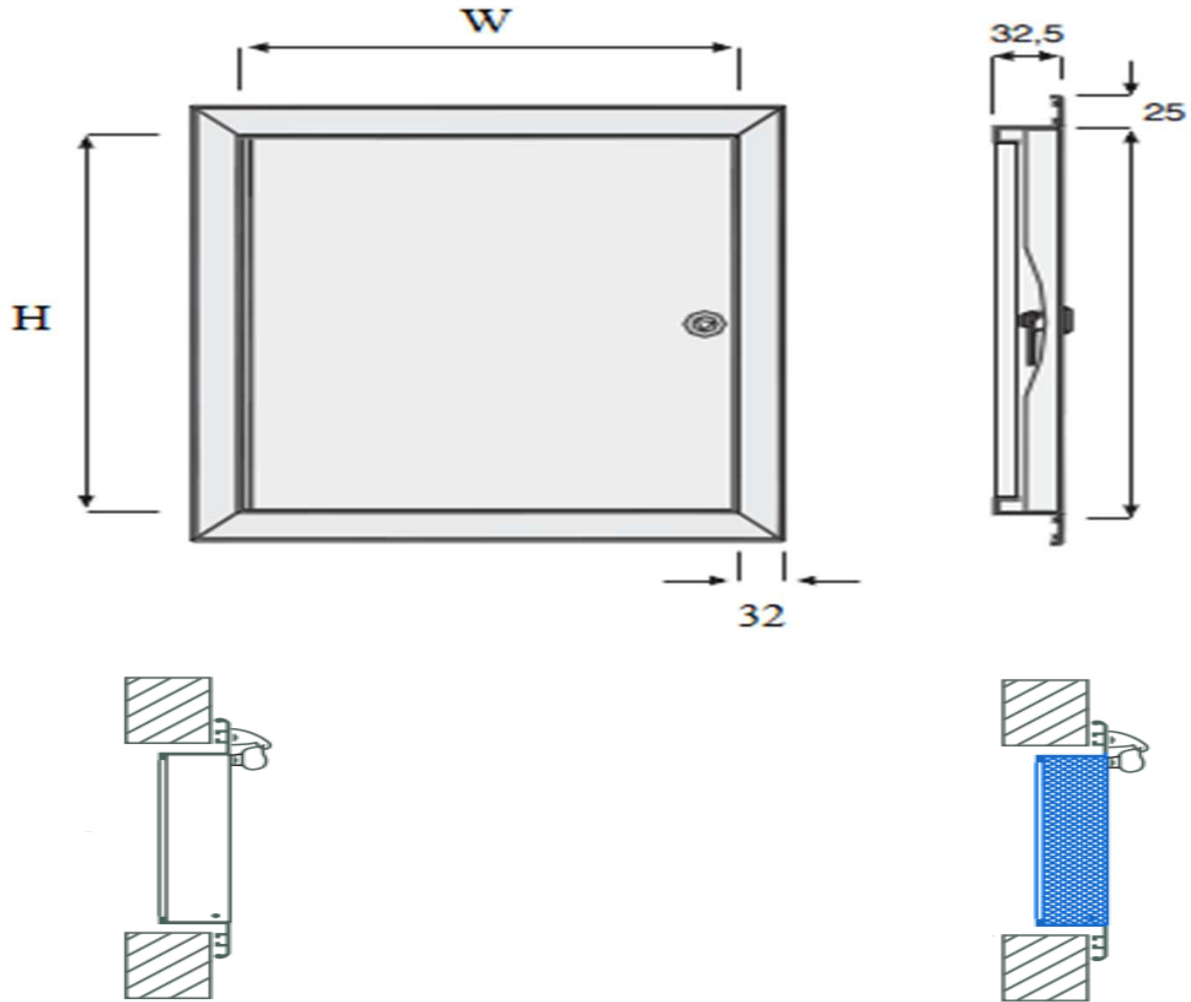




SUBMITAL AND DRAWING
MODEL-CMK

REGISTER&GRILLES

PROJECT :
 ENGINEER :
 CONTRACTOR :
 SUBMITTED BY :
 DATE :



AVAILABLE FINISHES	AVAILABLE LISTED SIZE (WxH)	QUANTITY	AVAILABLE LISTED SIZE	QUANTITY
STANDART FINISH:	<input type="checkbox"/> 6 x 6	<input type="checkbox"/> 12 x 6
<input type="checkbox"/> 01 WHITE (RAL 9016)	<input type="checkbox"/> 8 x 4	<input type="checkbox"/> 12 x 8
OPTIONAL FINISH (NO EXTRA CHARGE):	<input type="checkbox"/> 8 x 6	<input type="checkbox"/> 14 x 4
<input type="checkbox"/> 06 MILL FINISH <input type="checkbox"/> 02 WHITE (RAL 9010)	<input type="checkbox"/> 8 x 8	<input type="checkbox"/> 14 x 6
OPTIONAL FINISH (ADDITIONAL CHARGE):	<input type="checkbox"/> 10 x 4	<input type="checkbox"/> 14 x 8
<input type="checkbox"/> 03 SATIN SILVER <input type="checkbox"/> 07 CUSTOM COLOR/ SETUP CHARGE	<input type="checkbox"/> 10 x 6	<input type="checkbox"/> 16 x 6
<input type="checkbox"/> 04 ANODIZED <input type="checkbox"/> 08 RAL...../ SETUP CHARGE	<input type="checkbox"/> 10 x 8	<input type="checkbox"/> 18 x 6
<input type="checkbox"/> 05 BLACK	<input type="checkbox"/> 12 x 4	<input type="checkbox"/> 24 x 6
	<input type="checkbox"/> SPECIAL SIZE:.....		