

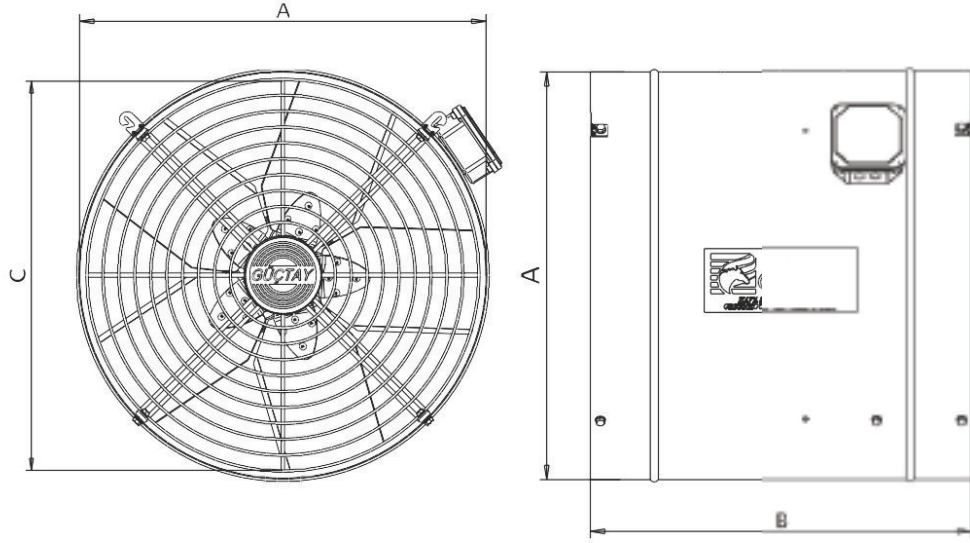


## CIRCULATION FAN

### GENERAL DESCRIPTION

- The bodies of GMCAIRCirculation fans are made of galvanized steel sheets and the propellers are made of aluminium.
- The propeller is specially designed to increase the power and efficiency.
- The motor design and power provide a lower energy consumption and silent running.
- Circulation fans are needed in all closed areas which have ventilation problems.
- Especially, in greenhouse it provides the necessary air-conditioning. And in stables and stalls it enables the homogeneous distribution of air. And in workshops and factories it is used to exhaust the fume, smoke, dust and bad smell.

## TECHNICAL DRAWING



### TECHNICAL DIMENSIONS

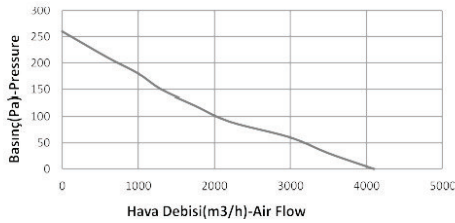
| Type    | A   | B   | C    |
|---------|-----|-----|------|
| GSF 350 | 360 | 490 | Ø340 |
| GSF 400 | 410 | 490 | Ø390 |
| GSF 460 | 480 | 490 | Ø460 |
| GSF 600 | 610 | 490 | Ø590 |

### TECHNICAL DATA

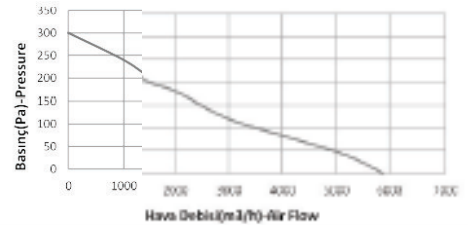
| Type                        | GSF350 M/T | GSF400 M/T/HP | GSF460 M/T/HP | GSF600 M/T/HP |
|-----------------------------|------------|---------------|---------------|---------------|
| Volt                        | 380        | 380           | 380           | 380           |
| Hz                          | 50         | 50            | 50            | 50            |
| KW                          | 0,16       | 0,18          | 0,37/0,25     | 0,37          |
| Flow Rate m <sup>3</sup> /h | 4100       | 5890          | 7400          | 8900          |
| d-D                         | 1400       | 1400          | 1400          | 1400          |
| W / kg                      | 14         | 15            | 17            | 20            |

### PERFORMANCE DATA

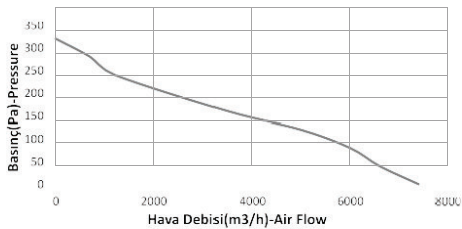
GSF 350



GSF 400



GSF 460



GSF 600

