



DESCRIPTION:

TMK Drywall control covers; Plasterboard, Boardex, Guardex, Aqua Panel Vb. Structural materials

The ceiling or the wall that is to be constructed, the areas to be intervened (the Wiring harnesses, control panels, etc.).

MATERIAL:

The fixed outer frame and the moving inner frame are made of 1.2mm bending and sprung resistant aluminum material. Equipment's and Safety spring Micron Zinc Coating. There is standard plasterboard inside the inner frame.

APPLICATION:

TMK Drywall control covers; Which can be opened with a small touch and onto which paint, ceramics or similar materials can be applied. It is a construction element that houses movement and safety elements (Hidden Hinge, Switch, Safety Waste, etc.).

(12.5 mm, 15 mm and 25 mm) Thickness; It is suitable for use with Plasterboard, Boardex, Guardex, Ferfore Plasterboard, Aquapanel.

FINISHING:

- Standard colours are RAL 9010 and RAL 9016 for frame.

INSTALLATION:

The outer frame is applied as a standard by screwing on the gypsum board.

ACCESSORIES:

- The access door opens and closes on a push-push action. It locks on the first push and releases with the second push.
- Spring hinged can also be made.



Cover – Access Panel Types:



Switch Hinged Touch-Operated Intervention Cover
(Vertically and Horizontally Opening)



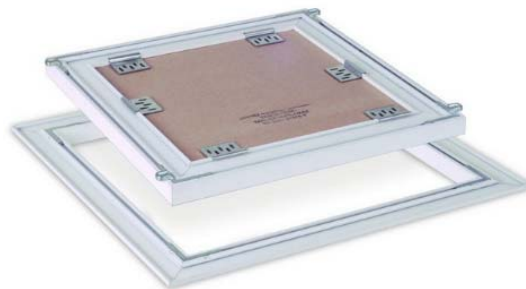
Spring and touch Manhole Cover
(Vertically and Horizontally Opening)



Zero Construction Touch-Operated Intervention Covers
(Vertically, Laterally and Horizontally Opening)

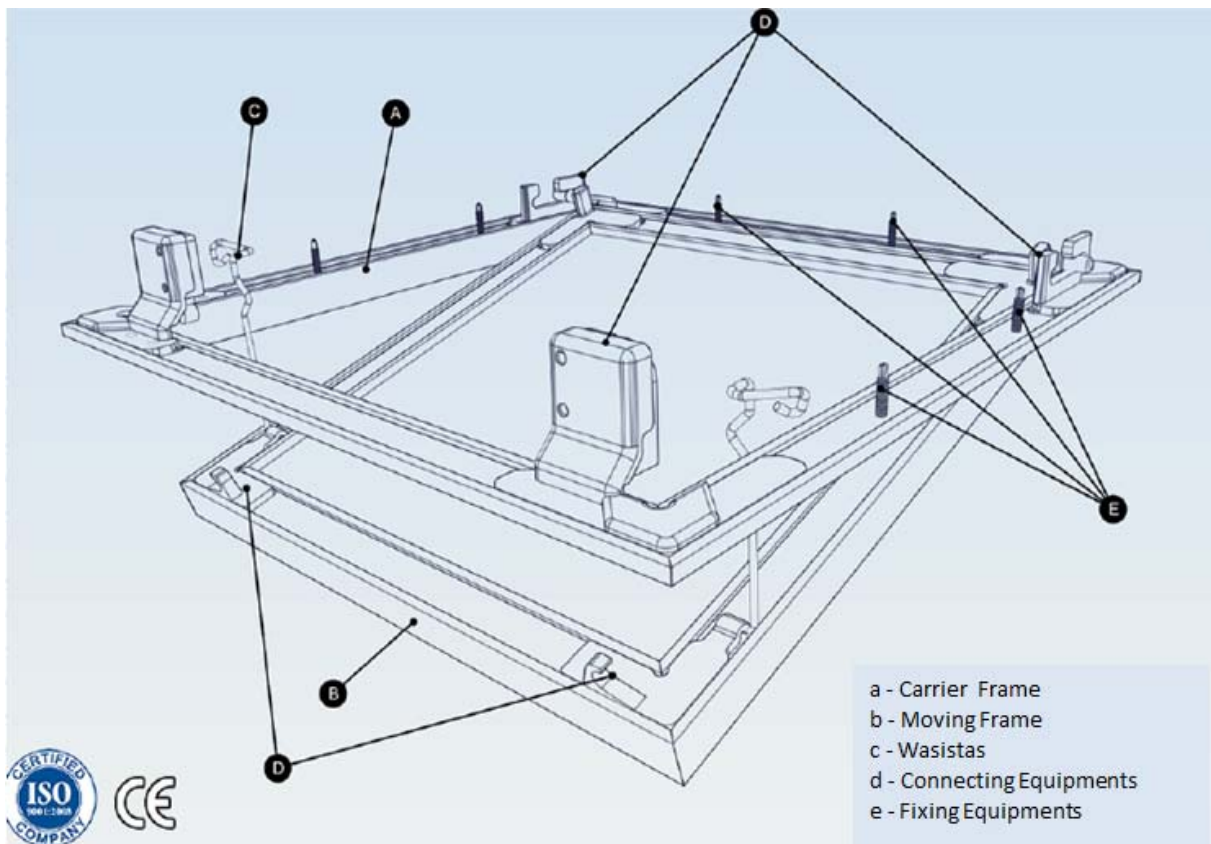


Universal Covers

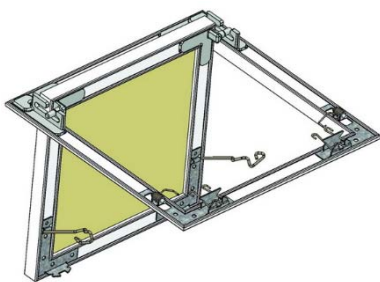


Top Mounted Intervention Covers

EQUIPMENTS:



STANDARD SIZES (mm) :



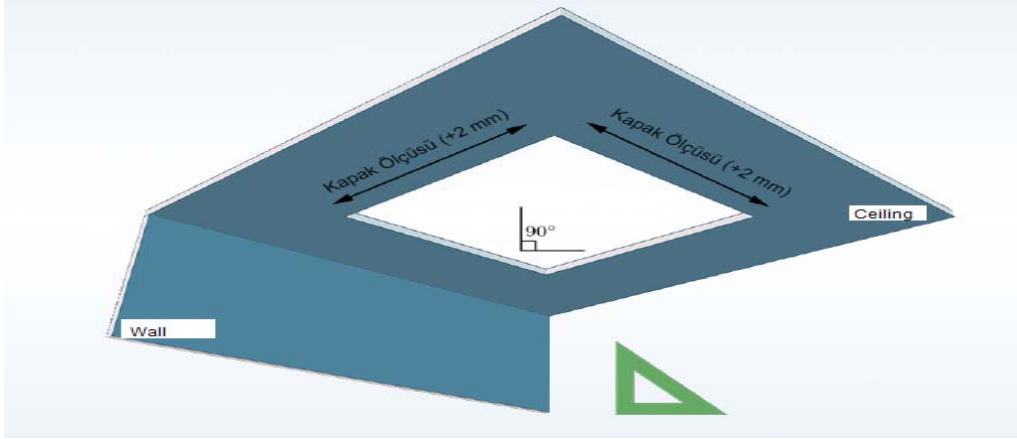
W : 300-350-400-450-500-550-600 mm

H : 300-350-400-450-500-550-600 mm

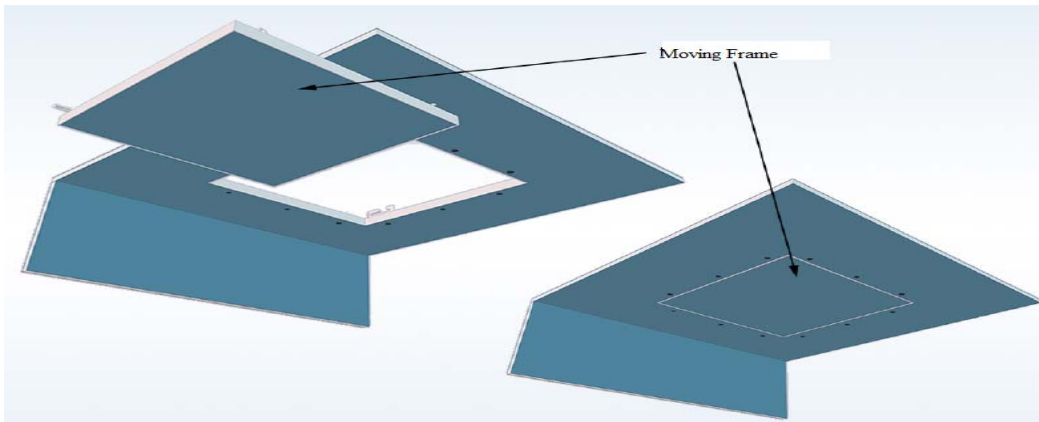
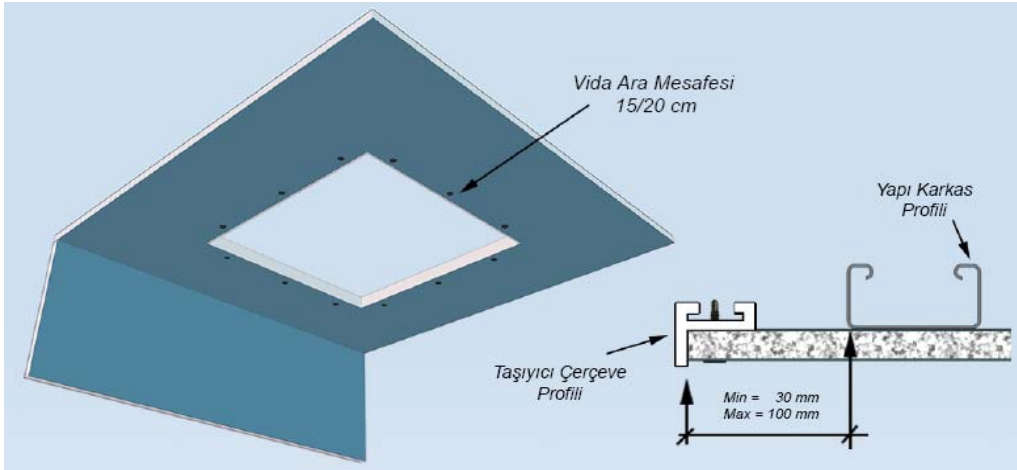
* Any combination of these sizes

MOUNTING DETAILS:

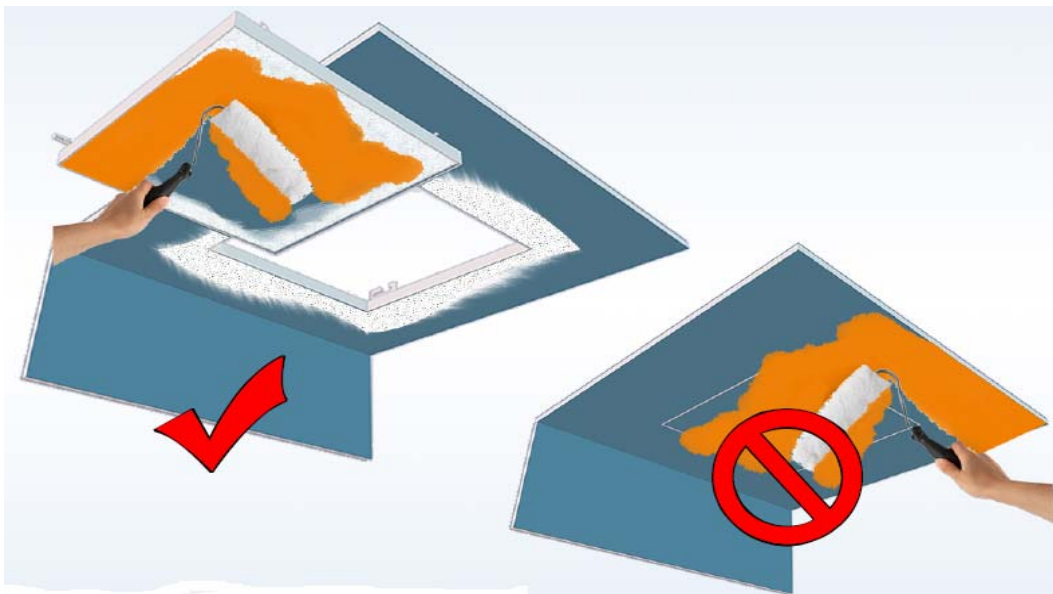
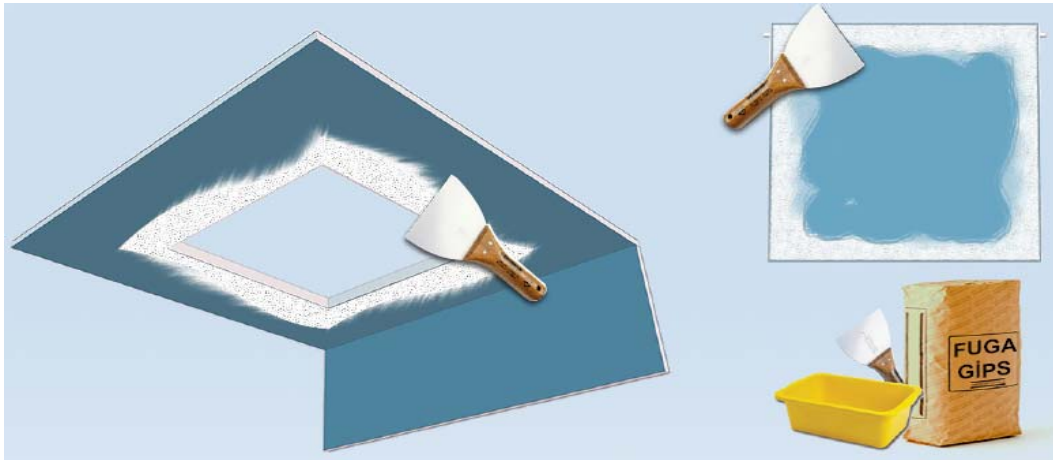
1 - Cutting drywall



2 - Frame Assembly



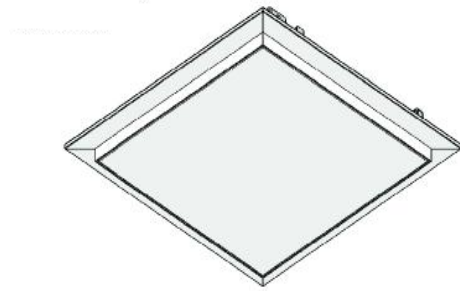
3 - Paint Process



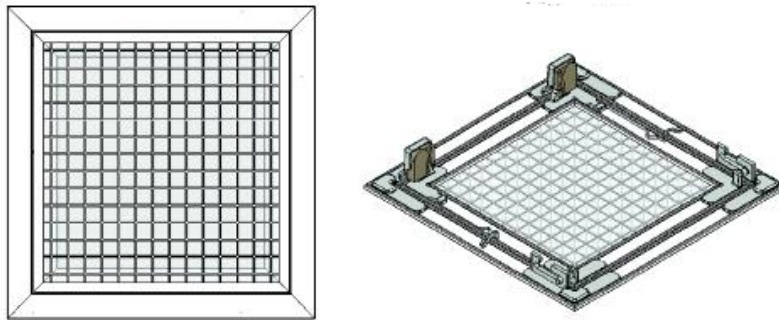


APPLICATION EXAMPLE:

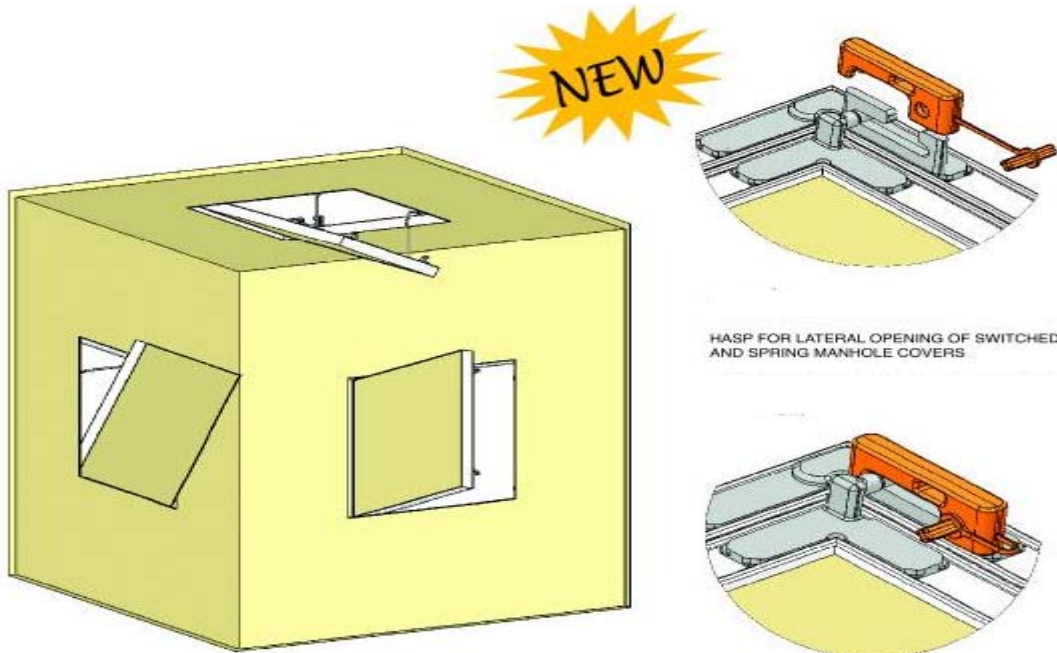
Metallized Touch-Operated Manhole Covers:



Honeycomb touch operated manhole covers:

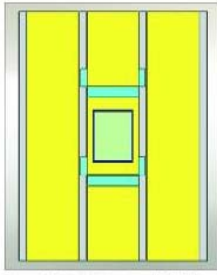


Switch Hinged Touch-Operated Intervention Cover

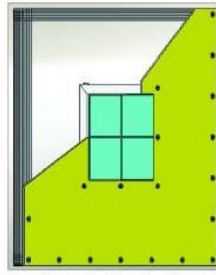


HASP FOR LATERAL OPENING OF SWITCHED AND SPRING MANHOLE COVERS

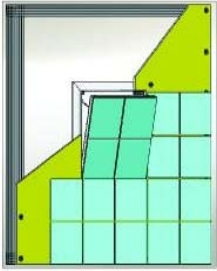
Details of Application of Touch-Operated Switch intervention covers on Ceramic:



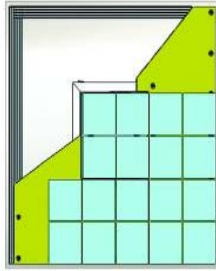
KONSTRÜKSİYON UYGULAMA GÖRÜNÜMÜ
CONSTRUCTION APPLICATION VIEW



SERAMİK YAPILMAYA BAŞLAMADAN ÖNCE KAPAĞIN
SERAMİĞİ YAPILIR KURUDUKTAN SONRA YERİNE TAKILIR.
CERAMIC OF COVER IS TILES BEFORE CERAMIC TILING.
MOUNTED TO ITS LOCATION AFTER DRYING.

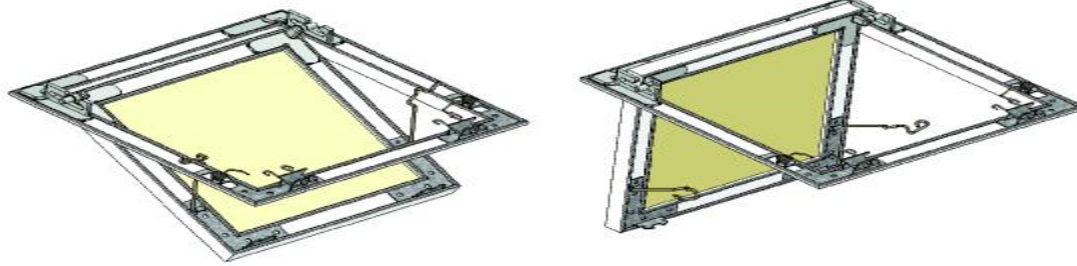


KAPAK YERİNE TAKILDIKTAN BİR GÜN SONRA DİĞER KISIMLARIN SERAMİĞİ YAPILIR.
AFTER MOUNTING THE COVER, OTHER SURFACES ARE COATED WITH CERAMIC TILES.

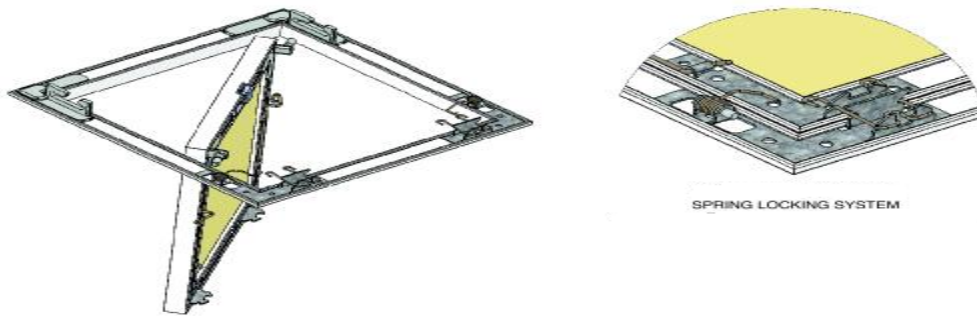




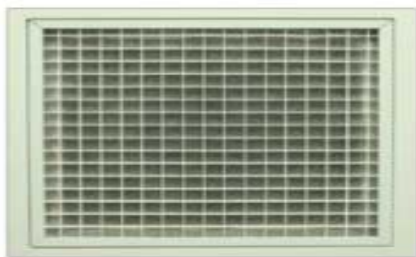
Spring and Touch Manhole Cover (vertically and horizontally Opening)



MAXIMUM MEASURING 80X80



SPRING LOCKING SYSTEM





Zero Consturction Touch-Operated Intervention Covers



ASSEMBLY OF OUTER FRAME



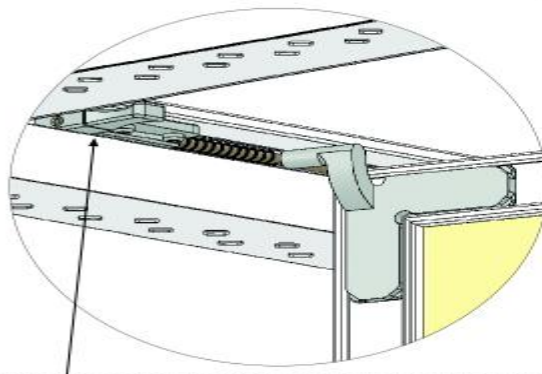
OUTER FRAME SCREWING IS MADE BY FASTENING SCREWS TO THE EXTREMITIES



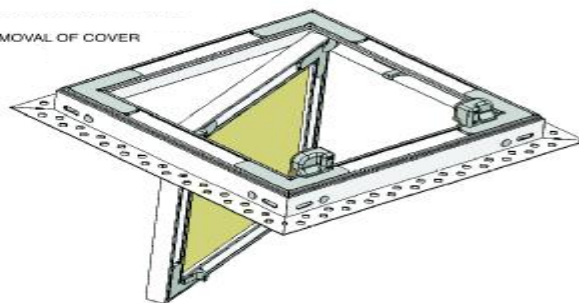
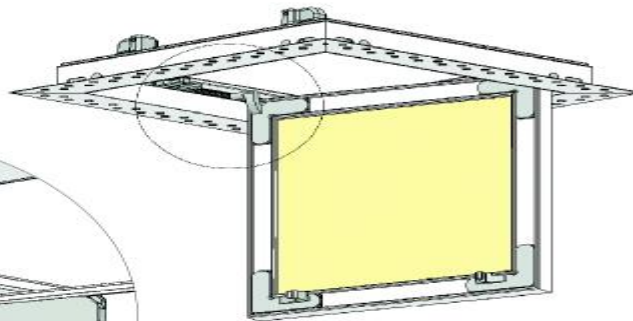
TURN THE COVER TO ONE SIDE FOR



INTERNAL SCREWING VIEW



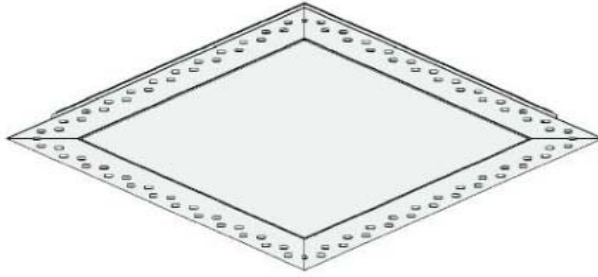
ONE-SIDED SPRING SHOULD BE PULLED BACK FOR THE REMOVAL OF COVER



MAXIMUM MEASURING 70X120

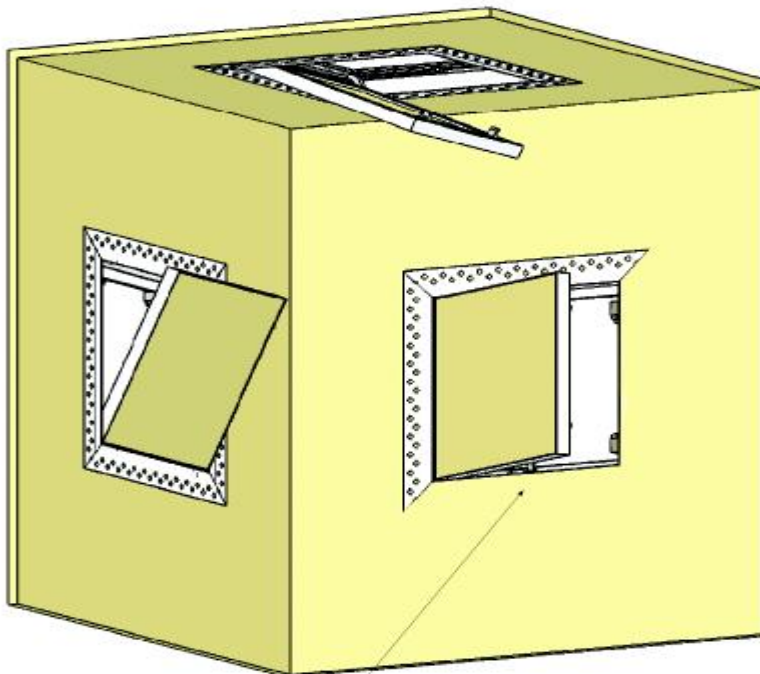
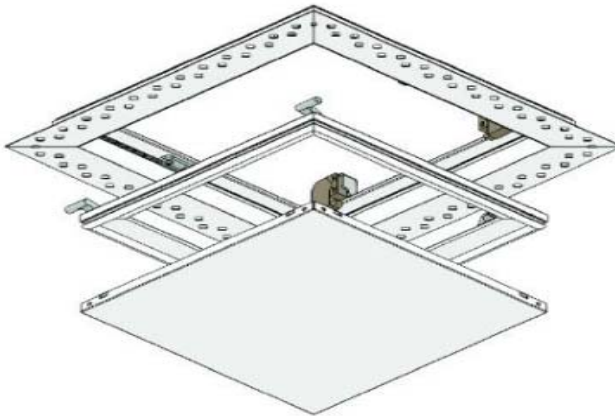


Metal coated zero construction manhole cover

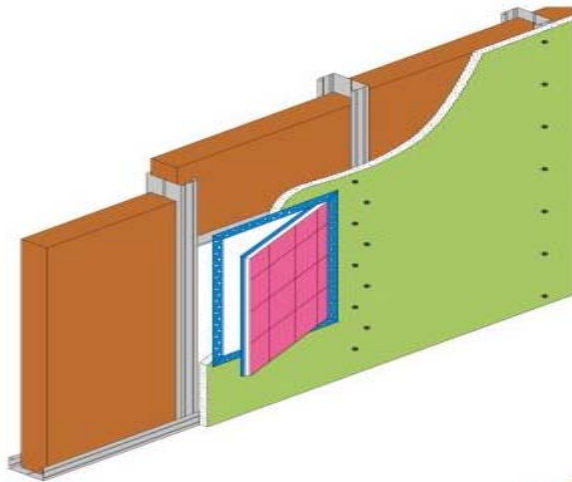


STANDARD MEASUREMENTS

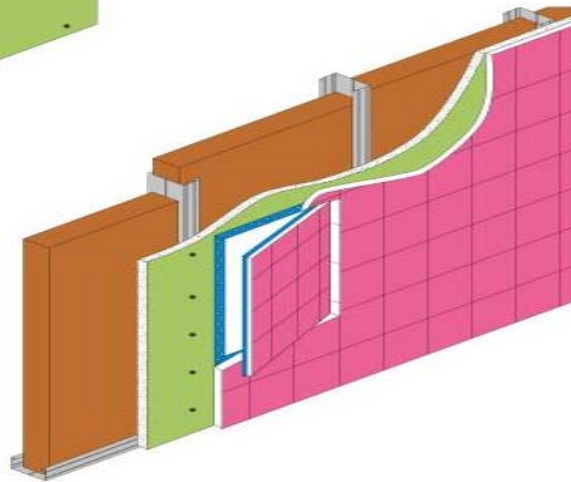
- 23.6X23.6
- 33.6X33.6
- 43.6X43.6
- 48.6X48.6
- 53.6X53.6
- 63.6X63.6



JOINT SHOULD BE USED FOR COVERING THE HOLES



Ceramic tiles are applied on the cover before ceramic tiling. After ceramic dries, cover is mounted (screwed) to the area left for it. After mounting, ceramic tiles are applied on the plasterboard.

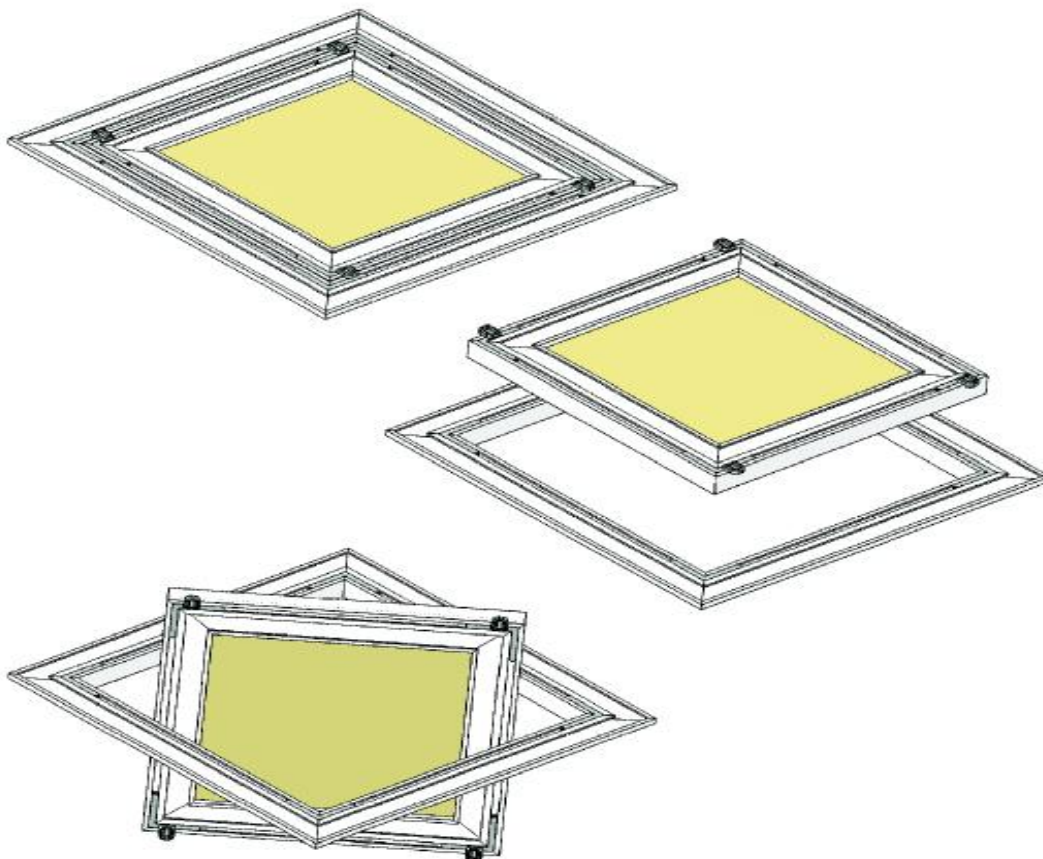
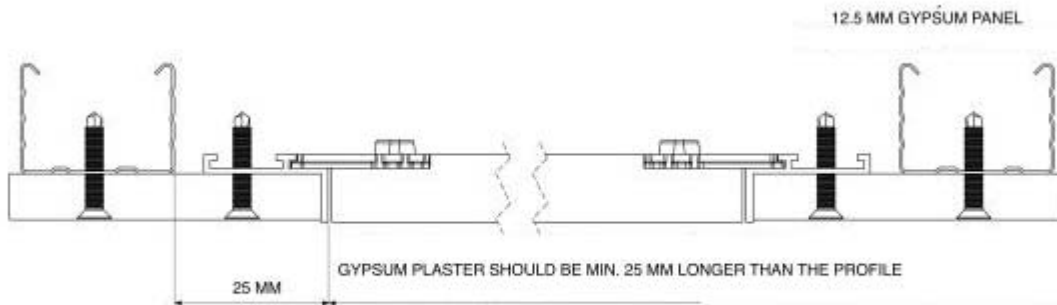


View of ceramic application of zero construction intervention cover which opens as a door.





Top Mounted intervention covers



Assembly of touch-operated swich hinged multi opening covers



Putty and paint application on touch-operated intervention covers



PUTTY SHOULD BE APPLIED IN TWO LAYERS AND JOINT GYPSUM SHOULD BE USED



PUTTY SHOULD APPLIED TO THE INNER COVERS BY DEMOUNTING THE COVER



PAINT SHOULD APPLIED TO THE INNER COVERS BY DEMOUNTING THE COVER

* Tüm Ürün Resimleri Tempo İnşaat İznıyla yayınlanmıştır.



ORDER CODE:

TMK	O	C	D	RAL9010	00	W 400X400
<p>O : Touch operation S : Sipringy U: Universal T : Top Mounting</p>						<p>W: Neck Size C: Frame Size</p>
<p>C : Construction Frame KO: without Construction Frame</p>						<p>00: Without accessories CE : Cover Over Ceramic Coated</p>
<p>D: Cover Plate drywall Coated E: Cover Plate Egg Creat Coated G: Cover Plate Galvanize sheet Coated</p>						<p>00: without coating EL: Anodic Aluminium RAL----: Powder Coated RAL</p>