

**DESCRIPTION:**

The CMK type access doors are designed for used on walls and false ceiling

MATERIAL:

The frame is manufactured from ETIAL-60 Norm aluminium extruded profile. There is a neoprene gasket between the cover and the frame, which can withstand 90°C. The cover is made of ETIAL-5 norm aluminium sheet.

Insulation material is glasswood as per DIN 4102 Class A

APPLICATION:

The CMK type access doors are designed for used on walls and false ceiling.

it is usually used for cleaning and controlling of duct systems

FINISHING:

- Standard finishing is natural anodized. Electrostatic powder coating is optional.
- Standard colours are RAL 9010 and RAL 9016 . Other colours are available with enamel paint.

INSTALLATION:

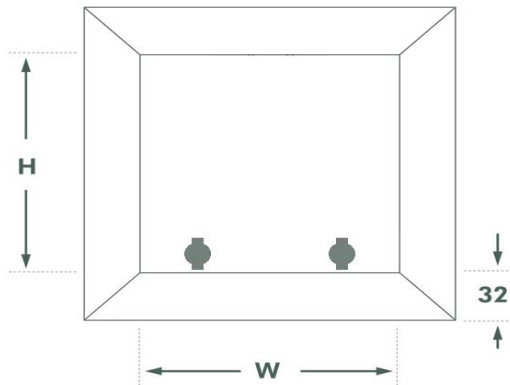
- System with screws is standard. .

ACCESSORIES:

- The cover can be produced with insulated or uninsulated
- The cover will be hinged at one side and secured at the other and by mean of either a key lock or a triangular socket lock



STANDARD SIZES (mm):

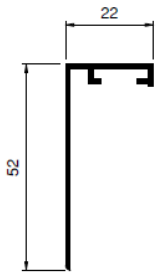


W : 300 – 400 - 500 mm

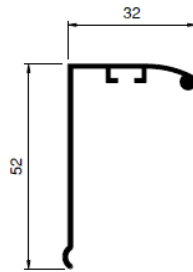
H : 200 - 300 - 400 - 500 mm

* Any combination of these sizes

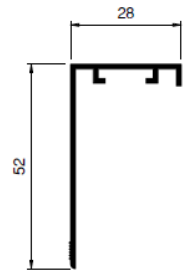
FRAME TYPES:



22mm Frame

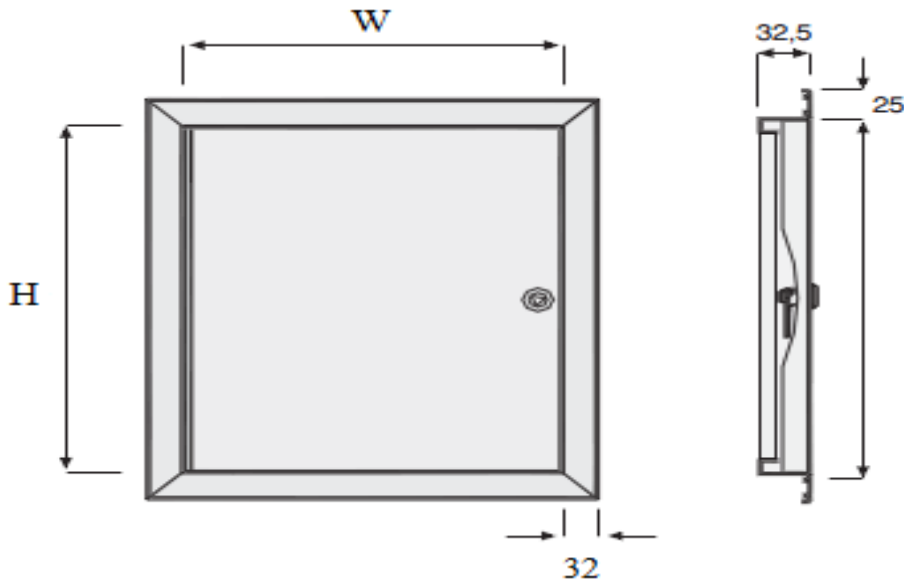


32mm Frame



28mm Frame

DRAWINGS:



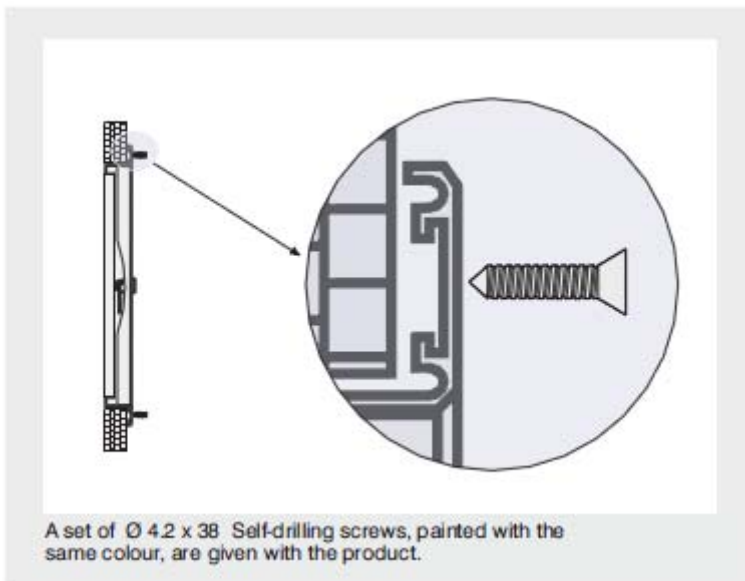
Hinged uninsulated Control Cover



Hinged insulated Control Cover

MOUNTING DETAILS:

1- Screw Mounting Details



APPLICATION EXAMPLE:





ORDER CODE:

CMK	M	22	iz	RAL9010	VD	W 400X400
M: Hinged A: Keyed		22mm Frame = 22mm 28mm Frame = 28mm 32mm Frame = 32mm		00: Uninsulated iz: insulated		W: Neck Size C: Frame Size 00: without Mounting VD: Screw Mounting
				00: without coating EL: Anodic Aluminium RAL----: Powder Coated RAL		