

**DESCRIPTION:**

DMK : it is used for cleaning and controlling of duct systems

MATERIAL:

Extruded Aluminum Frame, Galvanized steel Cover or Aluminum Cover

APPLICATION:

DMK Series Access door: Provides an access door function for fan coil units and mechanical installation

The access door opens and closes on a push-push action. It locks on the first push and releases with the second push.

FINISHING:

- Standard finishing is natural anodized. Electrostatic powder coating is optional.
- Standard colours are RAL 9010 and RAL 9016 . Other colours are available with enamel paint.

INSTALLATION:

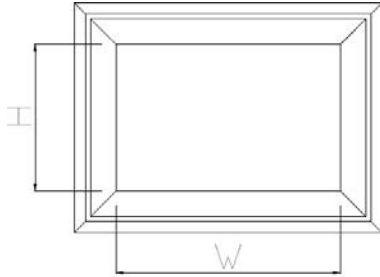
- System with screws is standard.
- System with clips and plate spring is used if no hole is requested on the frame.

ACCESSORIES:

- The cover can be produced with insulated or uninsulated
- Open-close mechanism, automatic touch-operated and Hinged



STANDARD SIZES (mm) :



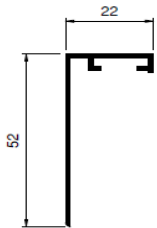
AVAILABLE SIZES (in.) - Always width x height											
HEIGHT	WIDHT										
	4	6	8	10	12	14	16	18	20	22	24
4	X	X	X	X	X	X	X	X	X	X	X
6	X	X	X	X	X	X	X	X	X	X	X
8	X	X	X	X	X	X	X	X	X	X	X
10	X	X	X	X	X	X	X	X	X	X	X
12	X	X	X	X	X	X	X	X	X	X	X
14	X	X	X	X	X	X	X	X	X	X	X
16	X	X	X	X	X	X	X	X	X	X	X
18	X	X	X	X	X	X	X	X	X	X	X
20	X	X	X	X	X	X	X	X	X	X	X
22	X	X	X	X	X	X	X	X	X	X	X
24	X	X	X	X	X	X	X	X	X	X	X

W : 100-150-200-250-300-350-400-450-500-550-600 mm

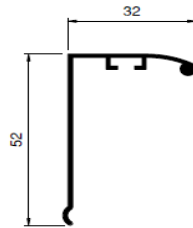
H : 100-150-200-250-300-350-400-450-500-550-600 mm

* Any combination of these sizes

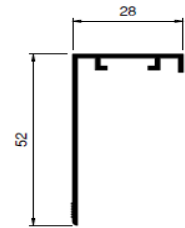
FRAME TYPES:



22mm Frame

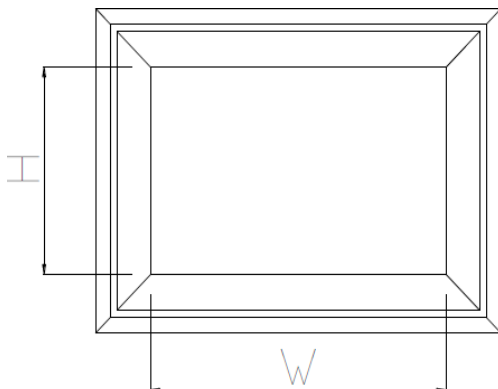


32mm Frame

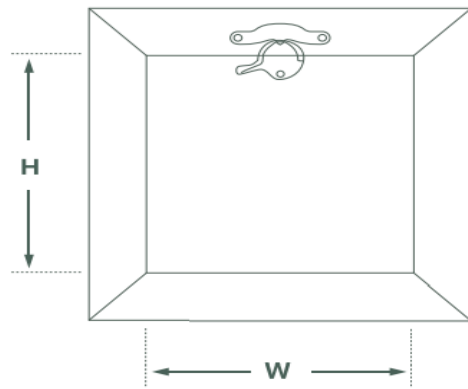


28mm Frame

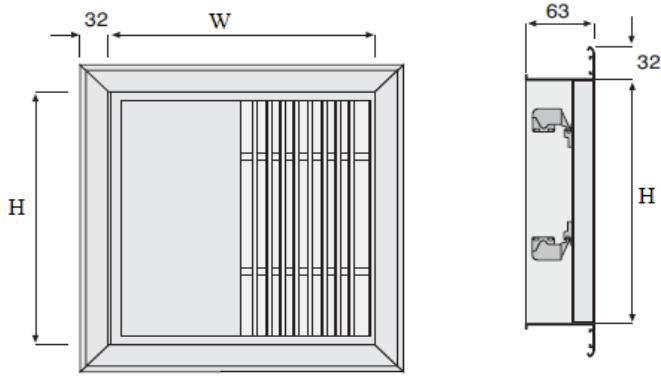
DRAWINGS:



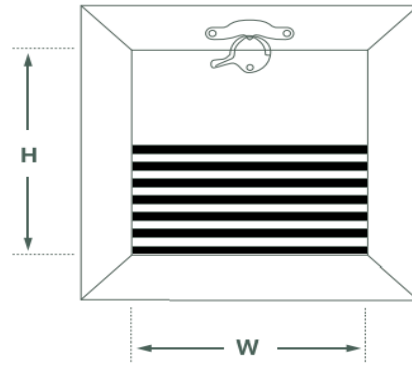
Standard Snap Control Cover



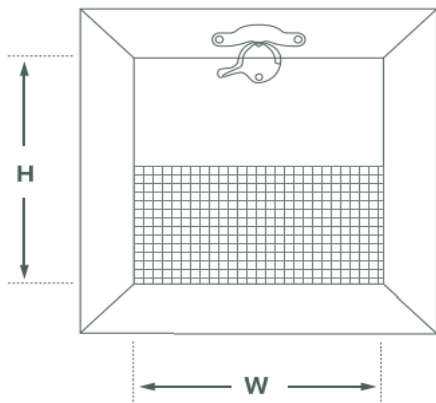
Standard Hinged Control Cover



Automatic Snap Cover Half Linear Grille



Hinged Cover Half Linear Grille



Hinged Cover Half Egg Crate Grille



Hinged uninsulated Control Cover

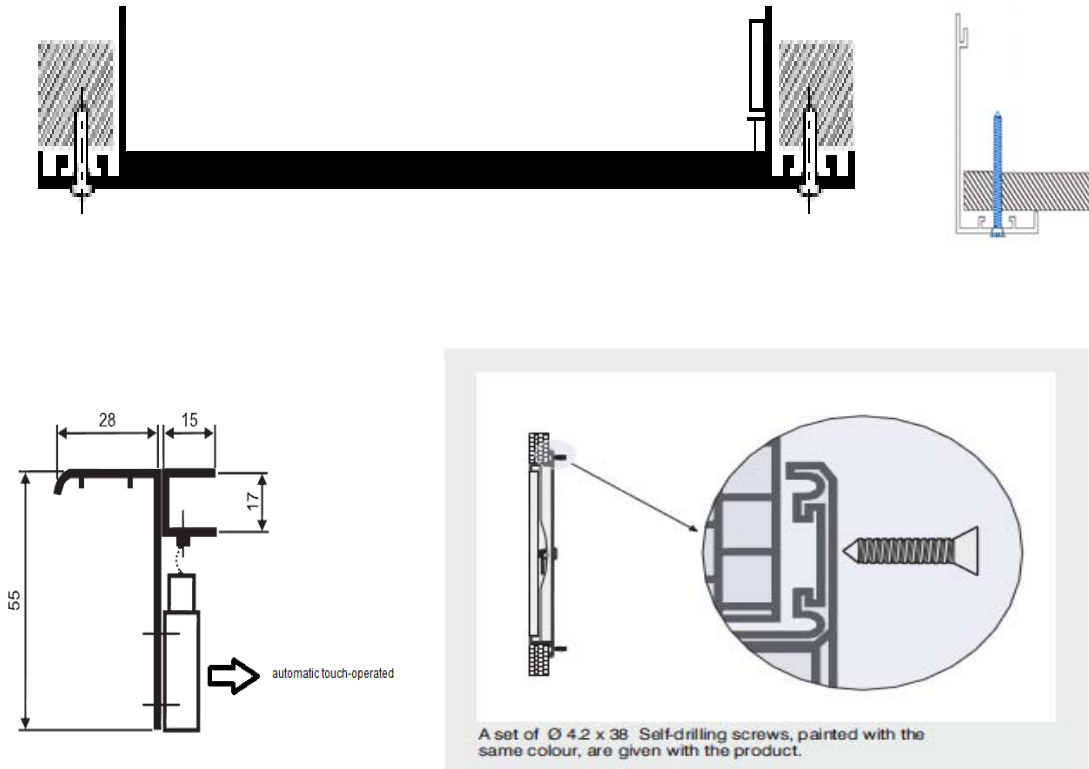


Hinged insulated Control Cover

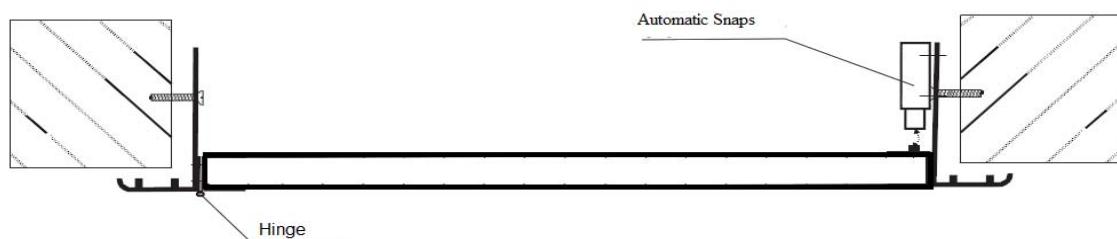


MOUNTING DETAILS:

1- Screw Mounting Details



2 – Screw Mounting Details with hide





APPLICATION EXAMPLE:

Air Conditioning Access Door:



1 – Cover Closed



2 – Cover Open



3 – Automatic Snap



ORDER CODE:

DMK	O	22	D	RAL9010	VD	W 400X400
<p>O: Touch operation M: Hinged A: Keyed</p>		<p>22mm Frame = 22mm 32mm Frame = 32mm</p>		<p>D : Cover Flat Galvanized Steel YL: Cover Half Linear Grille KP: Cover Half Egg Crate Grille</p>		<p>W: Neck Size C: Frame Size</p> <p>00: without Mounting VD: Screw Mounting VD-H: Screw Mounting with Hide</p>
				<p>00: without coating EL: Anodic Aluminium RAL----: Powder Coated RAL</p>		