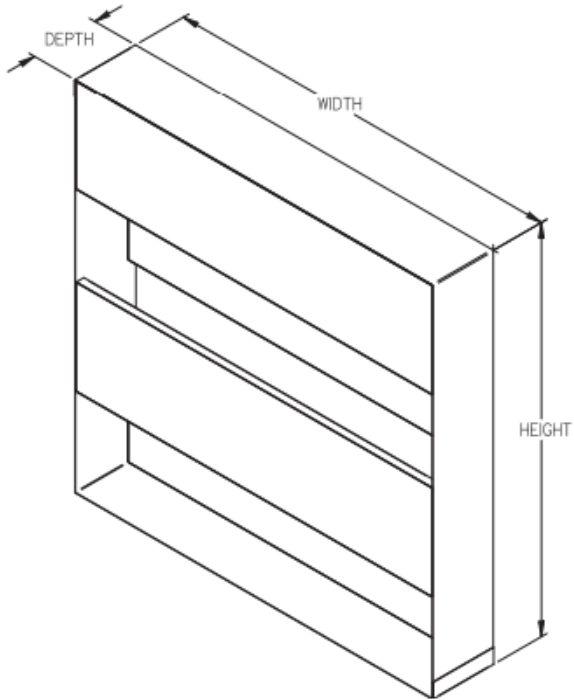




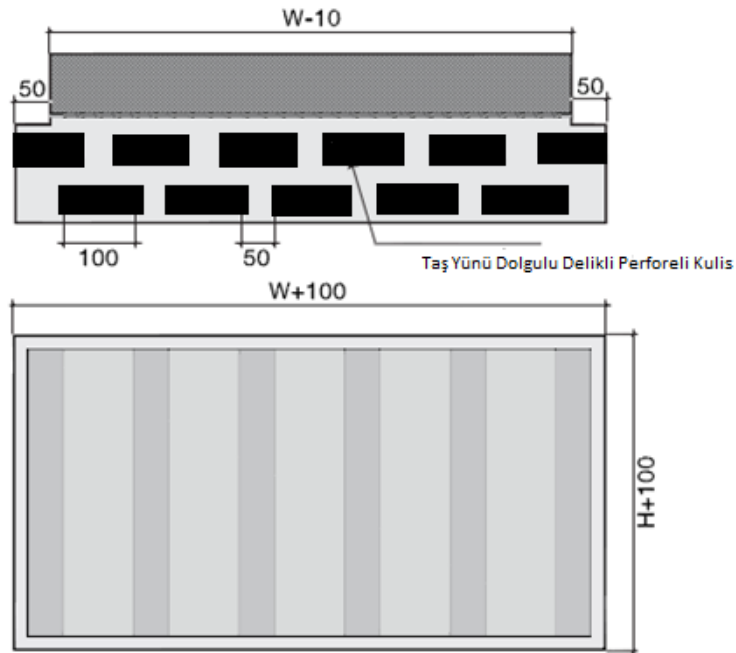
# MODEL RGS

Project:
Tag:
Engineer:
Contractor:
Date:

## Return Grille with Silencer



WIDTH = Min : 150mm - Maksimum:1250mm  
HEIGHT = Min : 150mm - Maksimum: 1250mm  
STANDARD DEPTH : Min: 100mm



Date submitted: