

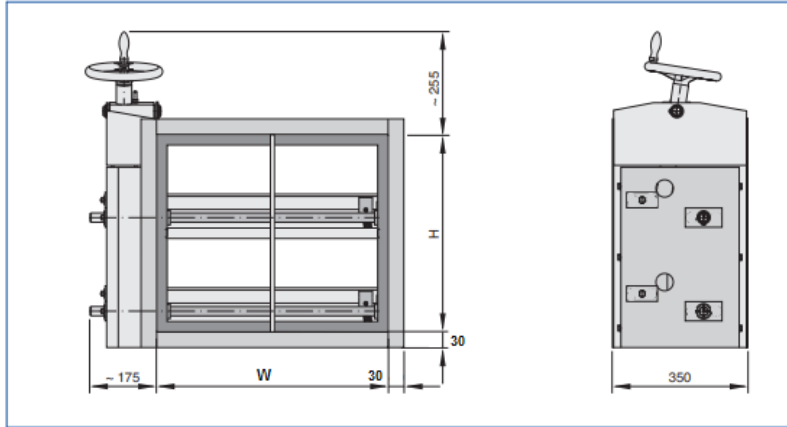


MODEL SOD

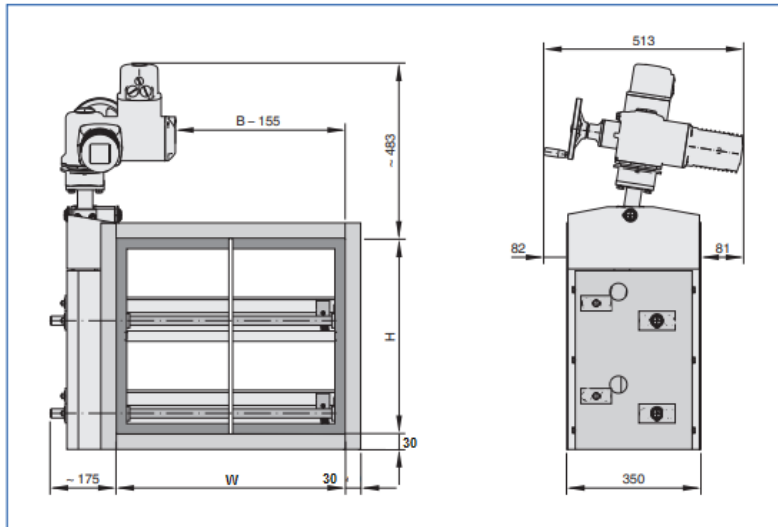
Project:
Tag:
Engineer:
Contractor:
Date:

Shut-Off Damper

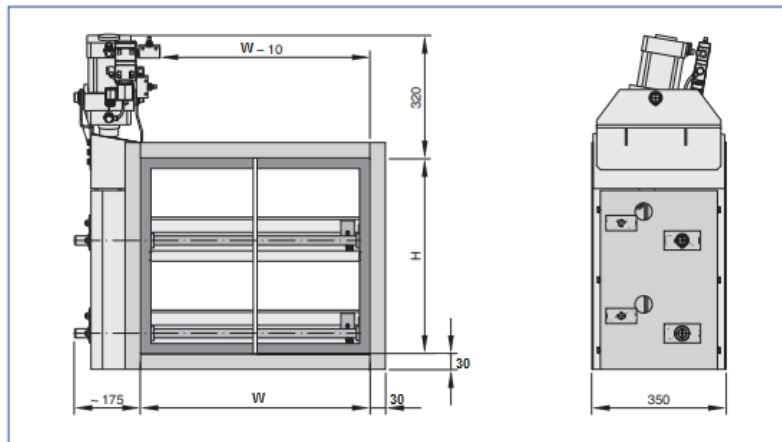
SOD-H



SOD-E



SOD-P



As part of our continuous improvement program, we reserve the right to make further improvements without notice.

Date submitted: