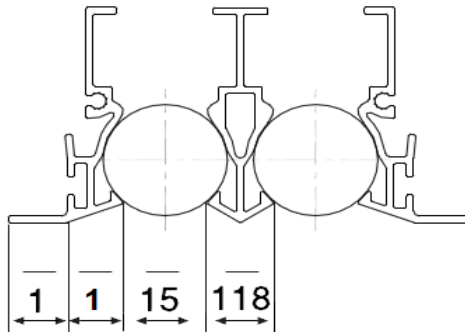
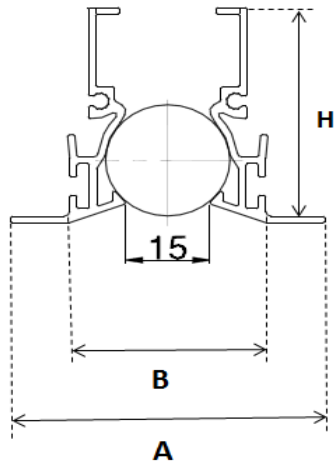




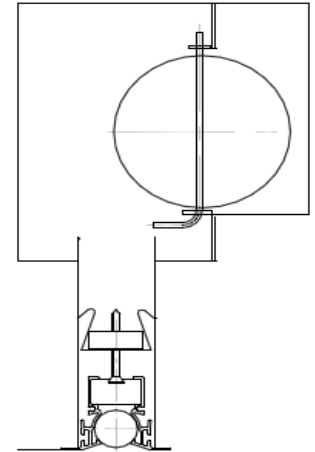
# MODEL SD35

Project:
Tag:
Engineer:
Contractor:
Date:

## ROLLER TYPE LINEAR SLOT DIFFUSERS



SD35 with plenum box



Slot	A (mm)	B (mm)	H (mm)
1 Slot	57	37	42
2 Slots	84	64	42
3 Slots	113	93	42
4 Slots	142	122	42

AVAILABLE FINISHES

STANDART FINISH:

01 WHITE (RAL 9016)

OPTIONAL FINISH (NO EXTRA CHARGE):

06 MILL FINISH

02 WHITE (RAL 9010)

OPTIONAL FINISH (ADDITIONAL CHARGE):

03 SATIN SILVER

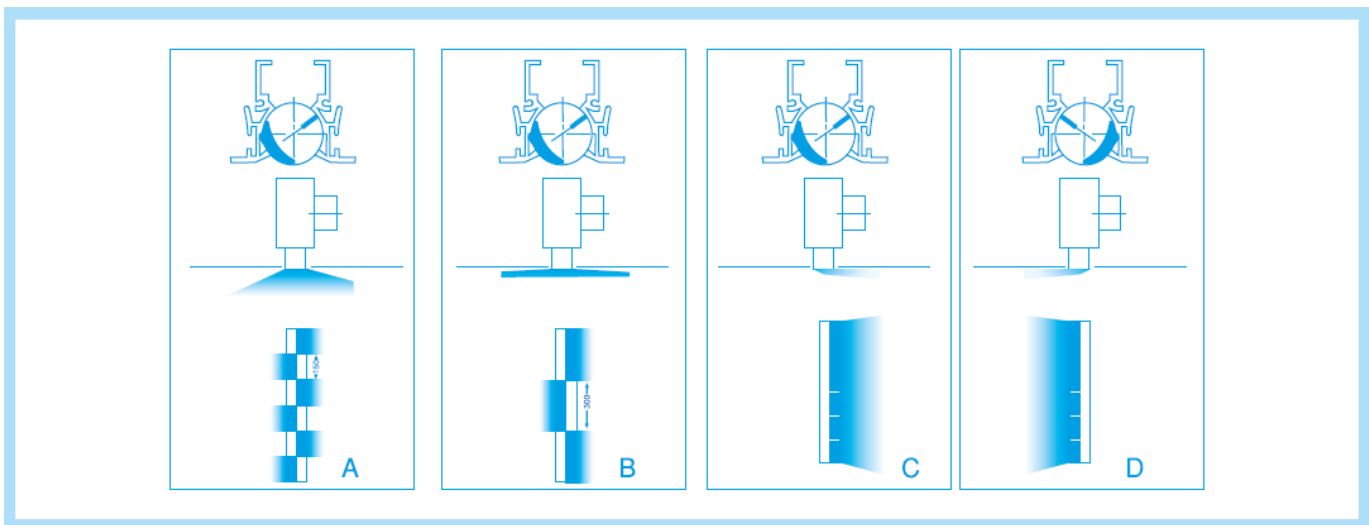
07 CUSTOM COLOR/ SETUP CHARGE

04 ANODIZED

08 RAL...../ SETUP CHARGE

05 BLACK

### AIR DEFLECTION TYPES



As part of our continuous improvement program, we reserve the right to make further improvements without notice.

Date submitted: