



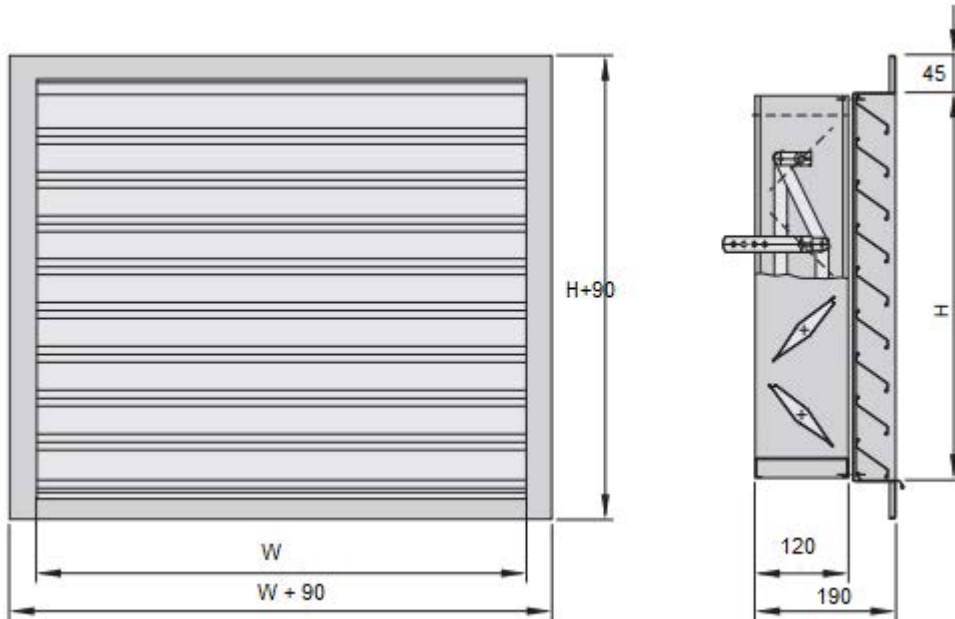
MODEL LVD

Project:
Tag:
Engineer:
Contractor:
Date:

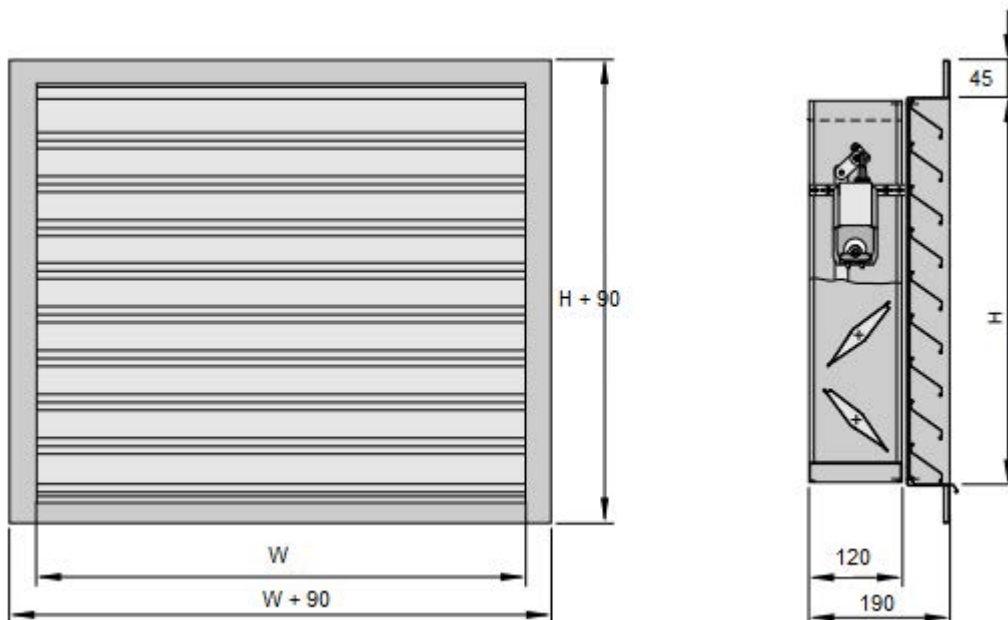
External Weather Louvers Combination with Volume Dampers

Material: Aluminum
Louver Face: Z Type 45° Fix Blade

External Louver with Manual Control Damper



External Louver with Actuator Control Damper



As part of our continuous improvement program, we reserve the right to make further improvements without notice.

Date submitted: