



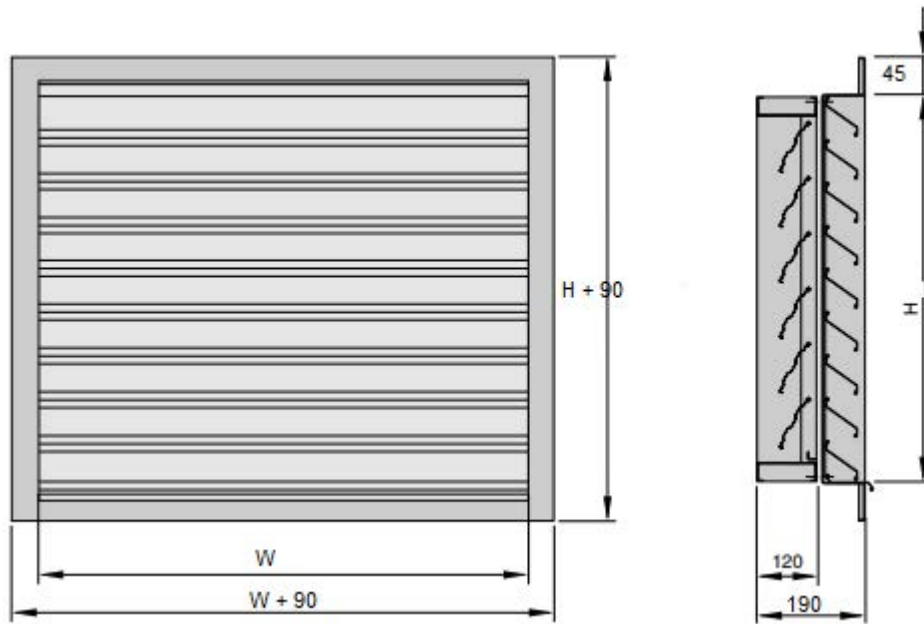
MODEL LND

Project:
Tag:
Engineer:
Contractor:
Date:

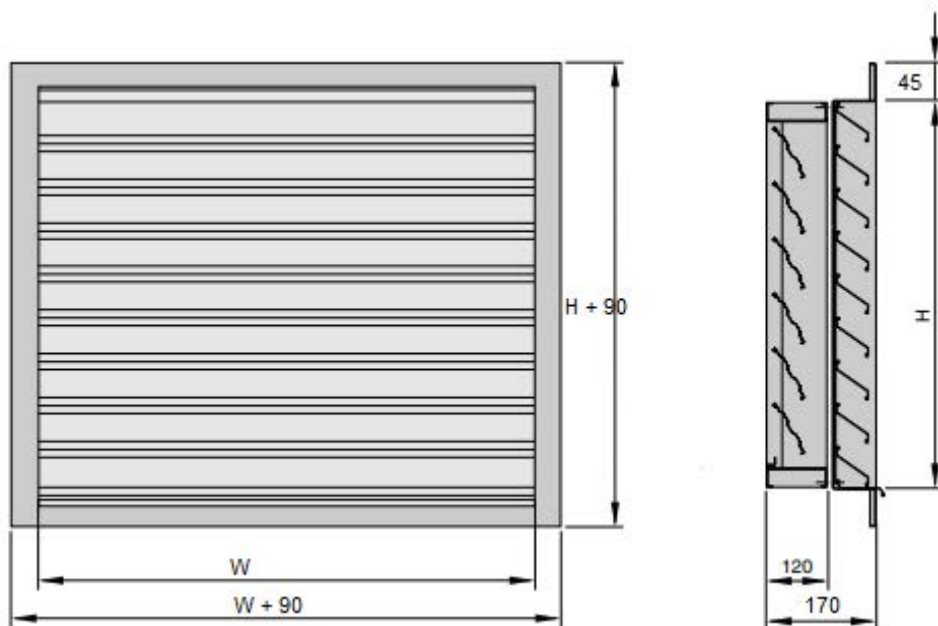
External Weather Louvers Combination with Non-Return Dampers

Material: Aluminum
Louver Face: Z Type 45° Fix Blade

External Louver with Non-Return Damper (from outside to inside)



External Louver with Non-Return Damper (from inside to outside)



As part of our continuous improvement program, we reserve the right to make further improvements without notice.

Date submitted: