

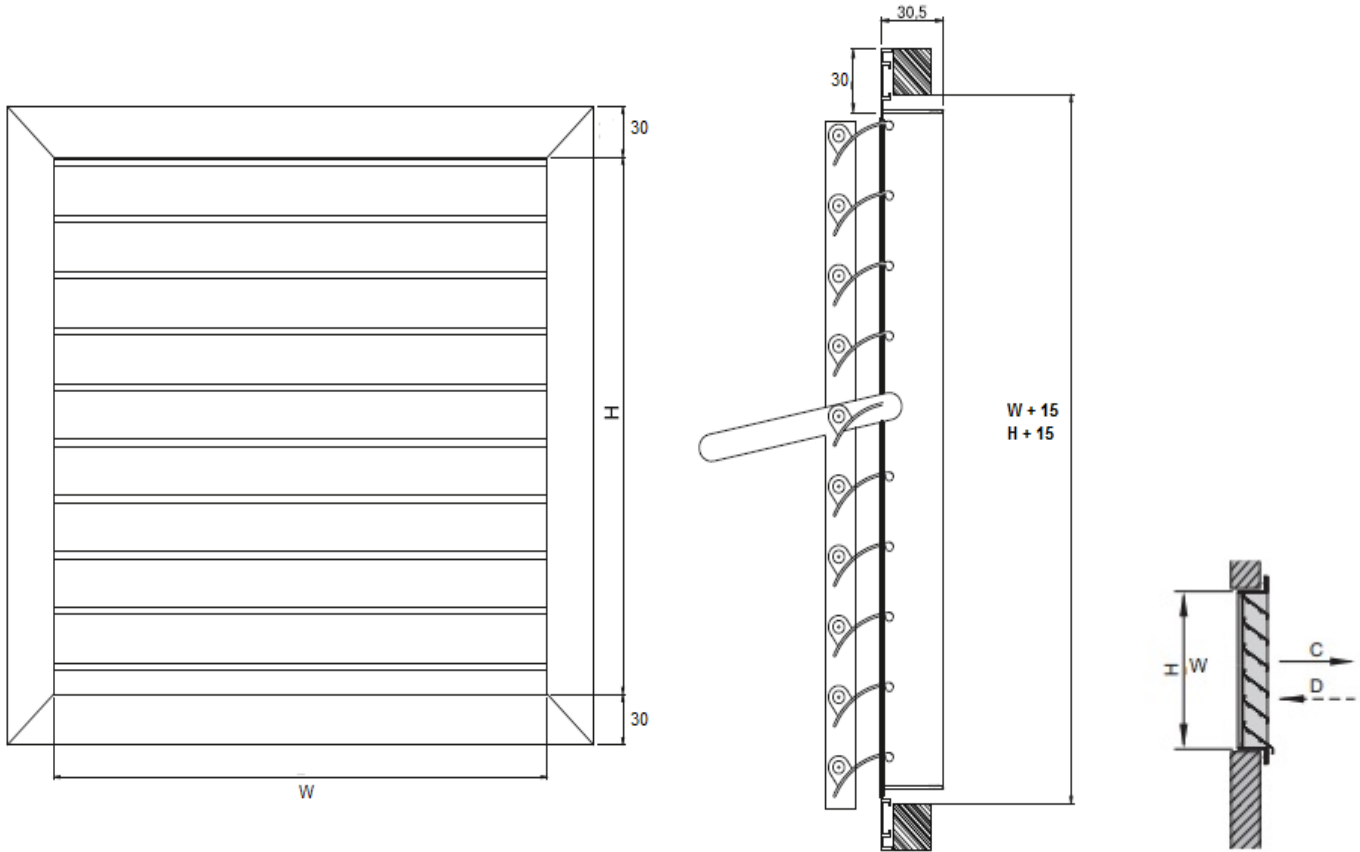


MODEL EXL-262

HAND-OPERATED LOUVERS - CURVED BLADE

Project:
Tag:
Engineer:
Contractor:
Date:

Material: Aluminum
 Face : Z Type 0°-90° Blade



C: Exhaust air ; D: Fresh air

AVAILABLE FINISHES

.....

STANDART FINISH:

01 WHITE (RAL 9016)

OPTIONAL FINISH (NO EXTRA CHARGE):

06 MILL FINISH 02 WHITE (RAL 9010)

OPTIONAL FINISH (ADDITIONAL CHARGE):

- 03 SATIN SILVER 07 CUSTOM COLOR/ SETUP CHARGE
 04 ANODIZED 08 RAL...../ SETUP CHARGE
 05 BLACK

As part of our continuous improvement program, we reserve the right to make further improvements without notice.

				Date submitted:
--	--	--	--	-----------------