

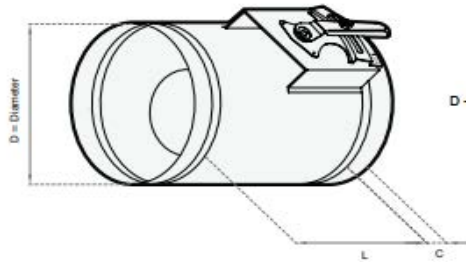


MODEL CCD

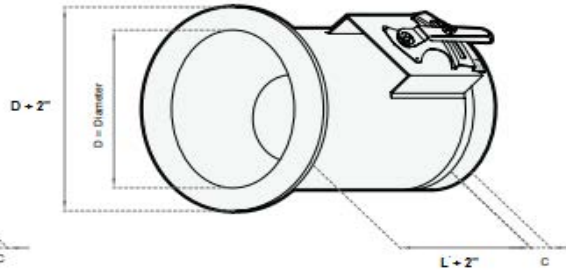
Project:
Tag:
Engineer:
Contractor:
Date:

Circular Control Damper

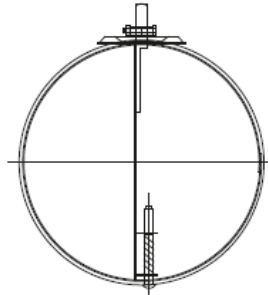
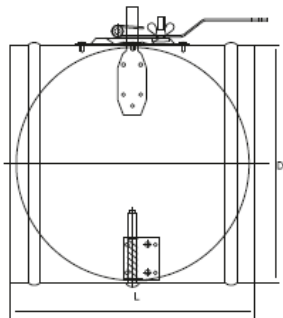
CCD-R



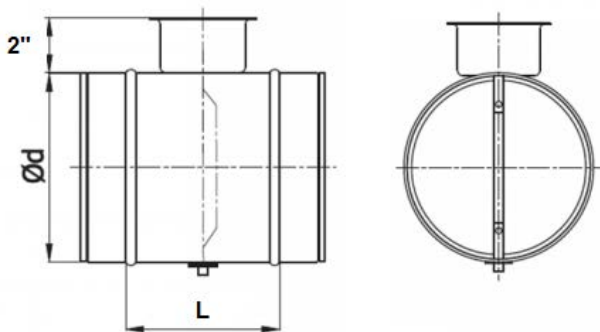
CCD-RF



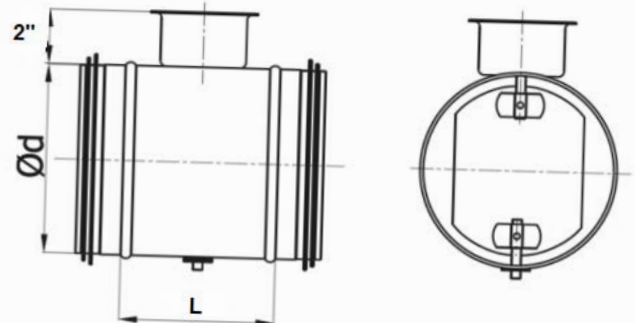
CCD-L



CCD-K



CCD-KC



* all dimensions are inc.

As part of our continuous improvement program, we reserve the right to make further improvements without notice.

Date submitted: