

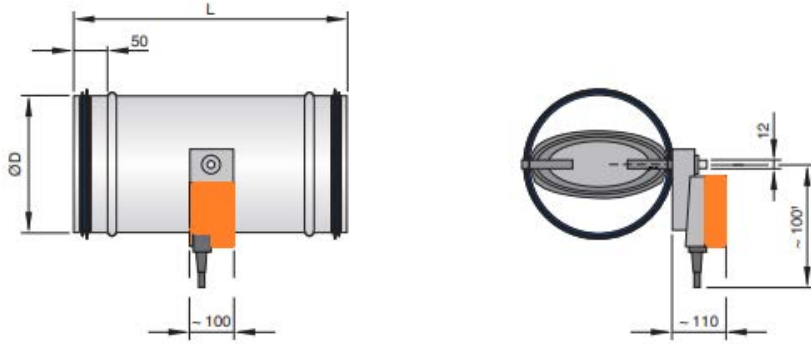


MODEL CCD-M

| |
|-------------|
| Project: |
| Tag: |
| Engineer: |
| Contractor: |
| Date: |

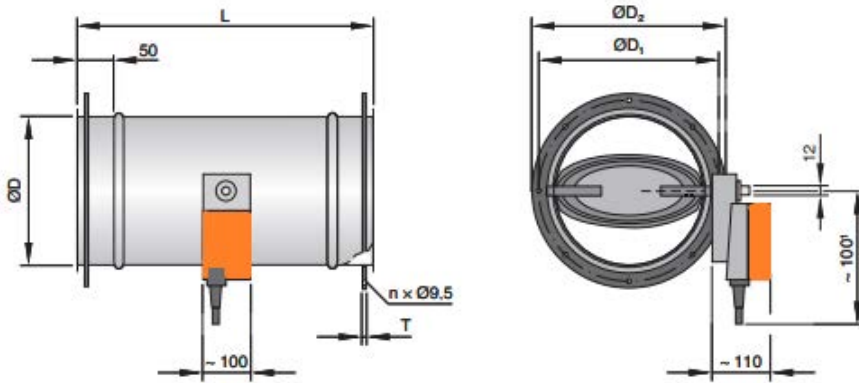
Motorized Circular Control Damper

CCD-M



| Nominal size | ØD | |
|--------------|-----|-----|
| | mm | |
| 100 | 99 | 250 |
| 125 | 124 | 250 |
| 160 | 159 | 250 |
| 200 | 199 | 250 |
| 250 | 249 | 250 |
| 315 | 314 | 400 |
| 400 | 399 | 400 |

CCD-MF



| Nominal size | ØD | L | ØD ₁ | ØD ₂ | n | T |
|--------------|-----|-----|-----------------|-----------------|---|----|
| | mm | mm | mm | mm | | mm |
| 100 | 99 | 230 | 132 | 152 | 4 | 4 |
| 125 | 124 | 230 | 157 | 177 | 4 | 4 |
| 160 | 159 | 230 | 192 | 212 | 6 | 4 |
| 200 | 199 | 230 | 233 | 253 | 6 | 4 |
| 250 | 249 | 230 | 283 | 303 | 6 | 4 |
| 315 | 314 | 380 | 352 | 378 | 8 | 4 |
| 400 | 399 | 380 | 438 | 464 | 8 | 4 |

* all dimensions are mm.

As part of our continuous improvement program, we reserve the right to make further improvements without notice.

Date submitted: