

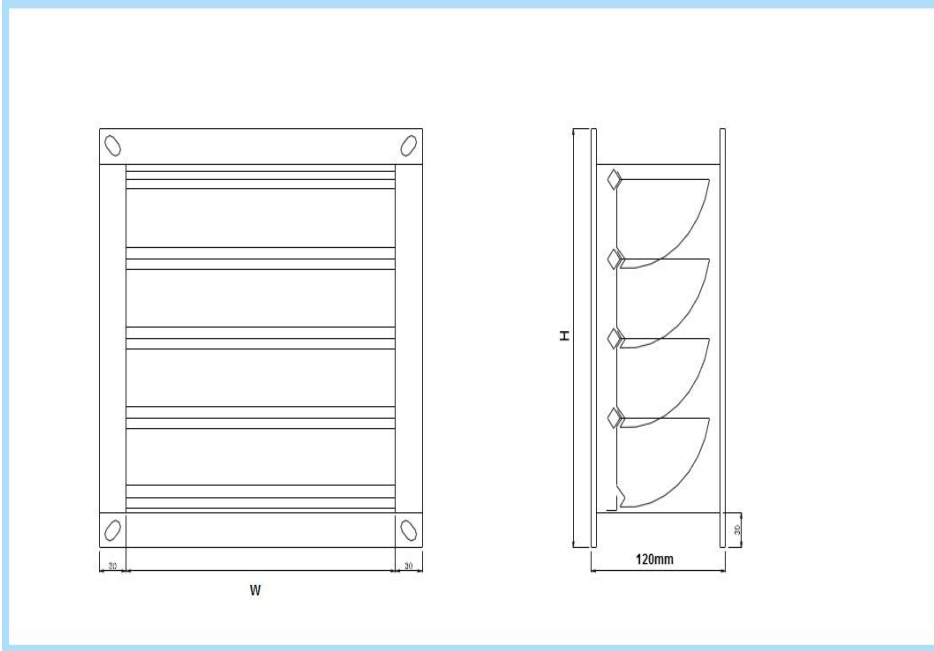


# MODEL BDD

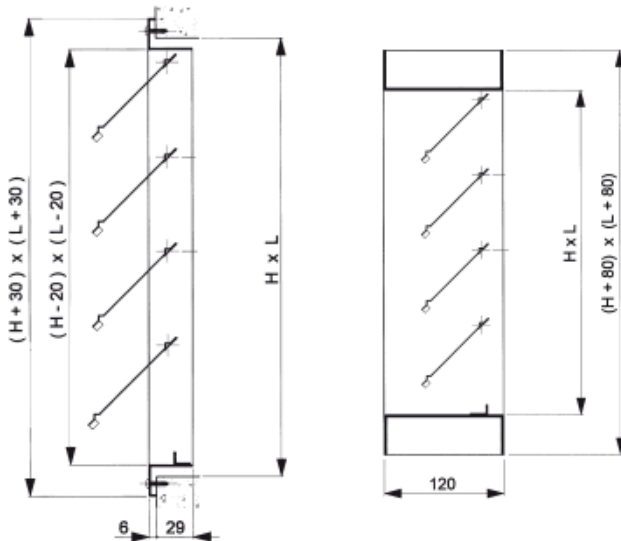
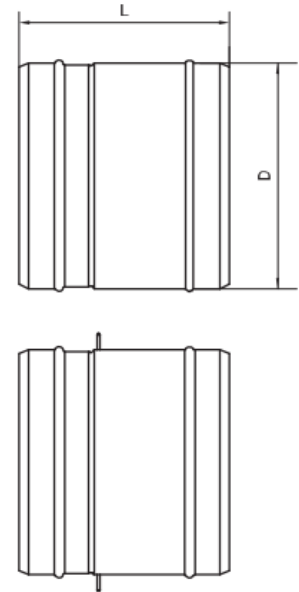
Project:
Tag:
Engineer:
Contractor:
Date:

## Back Draft Damper

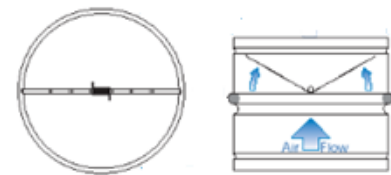
BDD-1 Rectangular Back Draft Damper



BDD-2 Circular Back Draft Damper



Size (mm)	D	L
Ø102	97,5	100
Ø127	122,5	125
Ø152	147,5	150
Ø160	155,5	160
Ø203	198,5	180
Ø254	249,5	220
Ø315	310,5	260
Ø356	351,5	270
Ø406	401,5	300



As part of our continuous improvement program, we reserve the right to make further improvements without notice.

Date submitted: