



SUBMITAL AND DRAWING
MODEL-KTA

REGISTER&GRILLES

PROJECT :
ENGINEER :
CONTRACTOR :
SUBMITTED BY :
DATE :

SQUARE CEILING DIFFUSER

MATERIAL :

MOUNTING TYPE:

- M0- NON MOUNTING
- M1- SCREW
- M2- CLIPS
- M3- SPRING

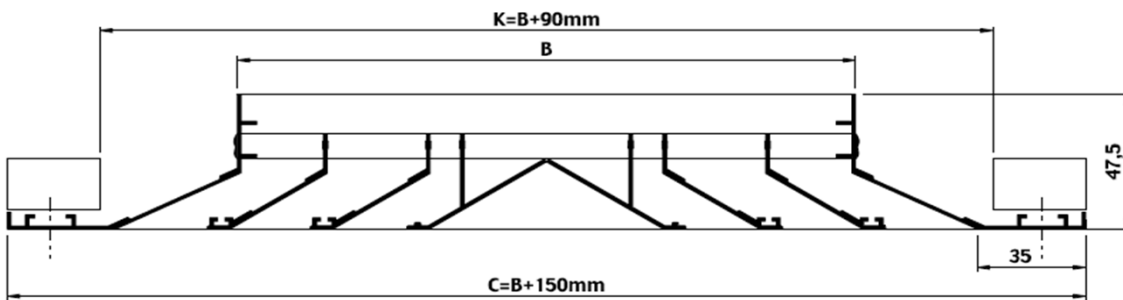
DAMPER TYPE

- WD- NO DAMPER
- MD- MULTI SHUTTER DAMPER (PARALLEL)
- OD- OPPOSED BLADE DAMPER

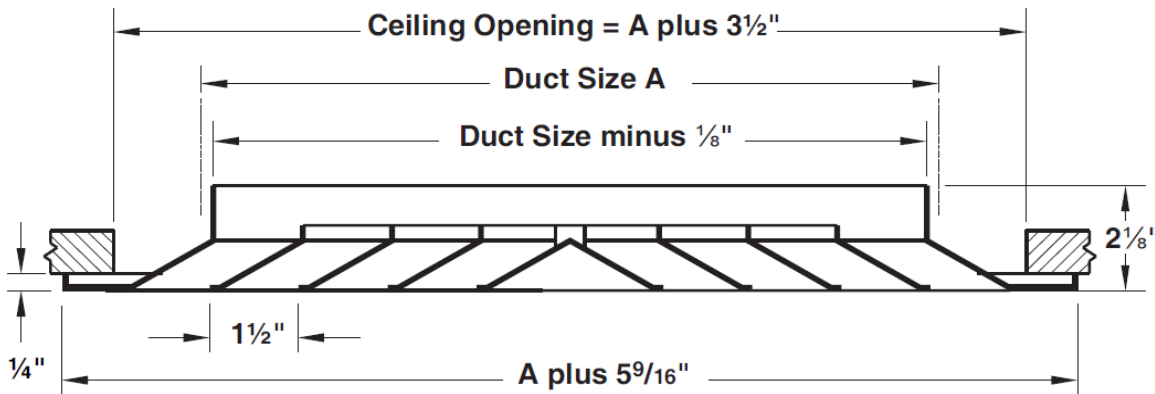
DIRECTION

- 1-Way
- 2-Way
- 3-Way
- 4-Way

Metric System (mm):



Imperial system (in):



AVAILABLE FINISHES

STANDART FINISH

- 01 WHITE (RAL 9016)

OPTIONAL FINISH (NO EXTRA CHARGE):

- 06 MILL FINISH
- 02 WHITE (RAL 9010)

OPTIONAL FINISH (ADDITIONAL CHARGE):

- 03 SATIN SILVER
- 07 CUSTOM COLOR/ SET UP CHARGE
- ANODIZED
- 08 RAL...../SET UP CHARGE
- BLACK

AVAILABLE (in)

LISTED (NECK) SIZE

Qty

- 6"x6"
- 8"x8"
- 9"x9"
- 10"x10"
- 12"x12"
- 15"x15"
- 18"x18"
- 21"x21"
- 24"x24"

SIZE

AVAILABLE(mm)

LISTED (NECK) SIZE

Qty

- 150x150
- 200x200
- 225x225
- 250x250
- 300x300
- 375x375
- 450x450
- 525x525
- 600x600

SIZE