

**DESCRIPTION:**

RG : Single deflection Grilles, with adjustable horizontal or vertical blades.

RGH: Single deflection Grilles, with adjustable horizontal blades.

RGV: Single deflection Grilles, with adjustable vertical blades.

MATERIAL :

Specially extruded from 6063 aluminium profile. (Stainless Steel is available optional)

FUNCTION :

It is used as air extraction and supply grille in air ventilation systems.

FINISHING :

- Standard finishing is durable white powder coat finish
- Standard colours are RAL 9010 and RAL 9016 . Other colours are available.

INSTALLATION :

- System with screws is standard.
- System with clips and plate spring is used if no hole is requested on the frame.

ACCESSORIES:

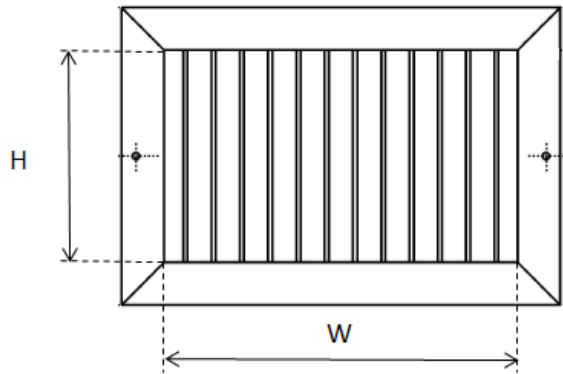
If desired, it is possible to add a damper to adjust the amount of air to be collected.

- Multi-Shutter Damper
- Opposed Blade Damper

PK: Plenum Box



STANDARD SIZES (in) :



AVAILABLE SIZES (in.) - Always width x height

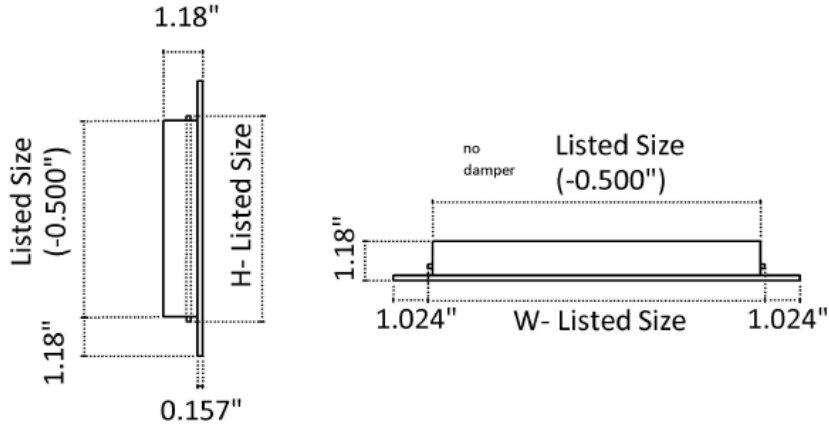
HEIGHT	WIDHT											
	6	8	10	12	14	16	18	20	24	30	36	
4	X	X	X	X	X	X	X	X	X	X	X	
5		X	X	X	X							
6	X	X	X	X	X	X	X	X	X	X	X	X
8		X	X	X	X	X	X	X	X	X	X	X
10			X	X	X	X	X	X	X	X	X	X
12				X	X	X	X	X	X	X	X	X
14					X	X	X	X	X	X	X	X
16						X	X	X	X	X	X	X
18							X	X	X	X	X	X
20								X	X	X	X	X
24									X	X	X	X

* Any combination of these sizes

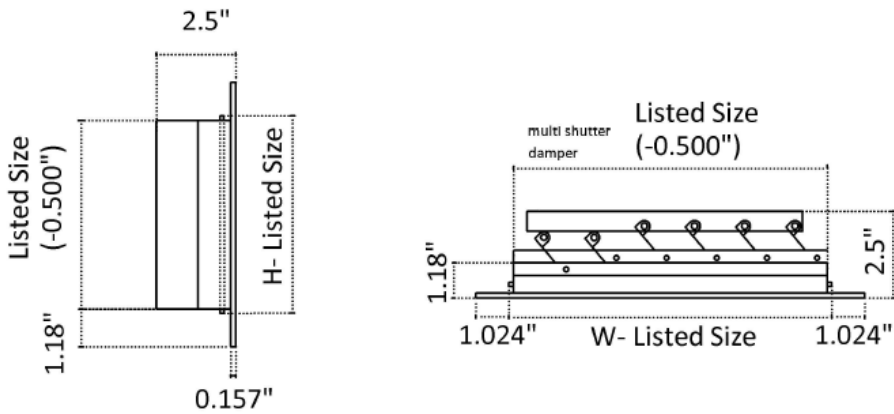


DRAWINGS:

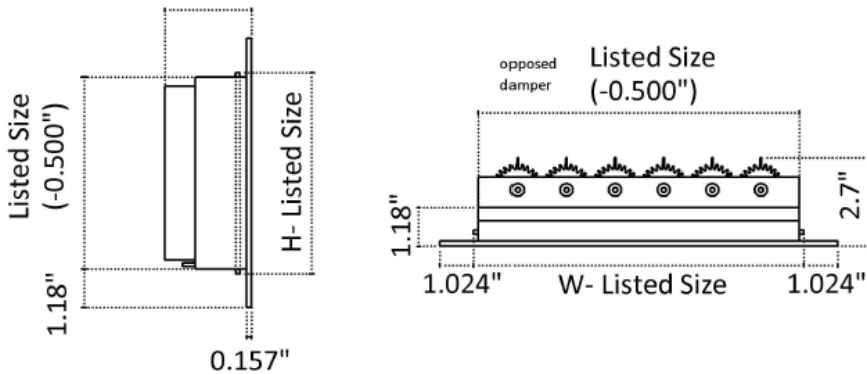
RG - SINGLE DEFLECTION GRILLES (without damper)



RG- MULTI SHUTTER DAMPER



RG- OPPOSED BLADE DAMPER





PERFORMANCE DATA

Face Jet Velocity	400	500	600	700	800	1000	1200	1400	1800	2000		
Total Pressure Loss	.010	.016	.022	.031	.040	.062	.090	.122	.202	.249		
Size	Free Area											
6x6	25	CFM	72	90	109	127	145	180	215	250	320	354
		Throw	7	9	11	12	14	17	20	24	29	34
	Ak = 0.179	NC	30	30	30	30	35	35	35	40	40	45
8x4	22	CFM	60	80	94	110	124	155	184	220	280	310
		Throw	7	9	10	12	13	16	19	23	29	33
	Ak = 0.156	NC	30	30	30	30	35	35	35	40	40	45
10x4	28	CFM	80	100	120	140	160	200	240	273	353	393
		Throw	8	10	12	13	15	19	22	26	29	37
	Ak = 0.199	NC	30	30	30	30	35	35	35	40	40	45
10x6	45	CFM	123	153	183	213	250	310	370	433	560	620
		Throw	9	12	14	16	19	23	28	33	42	46
	Ak = 0.310	NC	30	30	30	30	35	35	35	40	40	45
10x8	61	CFM	170	215	258	296	338	424	509	595	766	847
		Throw	10	13	17	18	21	28	31	36	47	52
	Ak = 0.424	NC	30	30	30	30	35	35	35	40	45	45
10X10		CFM	220	273	330	387	440	550	663	775	987	1100
		Throw	11	15	19	20	24	30	36	41	53	59
	Ak = 0.550	NC	30	30	30	30	35	35	35	40	45	45
12x4	34	CFM	95	120	145	170	190	240	290	325	430	480
		Throw	8	10	12	14	16	20	25	28	36	41
	Ak = 0.239	NC	30	30	30	30	35	35	35	40	40	45
12x6	54	CFM	150	190	225	265	305	380	455	430	680	760
		Throw	10	13	15	17	21	26	31	36	46	51
	Ak = 0.371	NC	30	30	30	30	35	35	35	40	40	45
12x8	73	CFM	205	255	305	360	410	510	615	715	920	1025
		Throw	11	15	18	21	24	30	34	39	50	56
	Ak = 0.511	NC	30	30	30	30	35	35	35	40	45	45
12x10	104	CFM	260	325	385	450	515	645	775	905	1160	1290
		Throw	13	18	21	24	28	33	43	47	60	67
	Ak = 0.645	NC	30	30	30	30	35	35	35	40	40	45
12x12	120	CFM	310	385	465	540	615	770	925	1080	1380	1540
		Throw	15	19	23	26	30	38	45	53	68	75
	Ak = 0.771	NC	30	30	30	30	35	35	35	40	45	45
14x4	43	CFM	115	140	170	195	224	280	340	395	510	565
		Throw	9	11	13	15	18	22	27	32	40	44
	Ak = 0.282	NC	30	30	30	30	35	35	35	40	40	45
14x6	64	CFM	180	225	270	310	355	445	535	625	805	890
		Throw	11	14	18	19	22	29	33	39	50	55
	Ak = 0.447	NC	30	30	30	30	35	35	35	40	45	45
14x8	74.52	CFM	212	258	313	368	419	520	626	730	938	1049
		Throw	11	14	18	20	23	29	33	39	50	55
	Ak = 0.522	NC	30	30	30	30	35	35	35	40	45	45
14x12	139.2	CFM	360	447	539	626	713	893	1073	1253	1601	1786
		Throw	16	20	22	27	31	38	46	54	69	77
	Ak = 0.894	NC	30	30	30	30	35	35	35	40	45	45
14x14	155	CFM	430	535	640	745	855	1070	1280	1490	1920	2130
		Throw	17	21	23	30	34	43	51	60	77	85
	Ak = 1.068	NC	30	30	30	30	35	35	35	40	45	45



Face Jet Velocity		400	500	600	700	800	1000	1200	1400	1800	2000	
Total Pressure Loss		.010	.016	.022	.031	.040	.062	.090	.122	.202	.249	
Size	Free Area											
16x4	48.5	CFM	133	165	198	230	265	330	398	413	595	663
		Throw	10	12	14	17	20	24	29	34	43	48
	Ak = 0.327	NC	30	30	30	30	35	35	35	40	40	45
16x6	73	CFM	205	255	305	360	410	510	615	715	920	1025
		Throw	11	15	18	21	24	30	34	39	50	56
	Ak = 0.511	NC	30	30	30	30	35	35	35	40	45	45
16x8	81	CFM	230	280	340	400	455	565	680	795	1020	1140
		Throw	11	15	18	21	24	30	34	39	50	56
	Ak = 0.568	NC	30	30	30	30	35	35	35	40	45	45
16x16	208	CFM	567	709	851	992	1134	1418	1701	1985	2552	2835
		Throw	19	23	27	32	35	45	56	65	85	93
	Ak = 1.418	NC	30	30	30	30	35	35	35	40	45	45
18x6	98	CFM	250	310	380	440	500	630	755	895	1120	1250
		Throw	12	16	20	22	25	31	40	46	58	65
	Ak = 0.628	NC	30	30	30	30	35	35	35	40	45	45
18x18	255	CFM	713	891	1069	1253	1431	1787	2155	2500	3213	3575
		Throw	21	26	31	37	42	52	63	73	94	104
	Ak = 1.787	NC	30	30	30	30	35	35	40	40	45	45
20x6	104	CFM	260	325	385	450	515	645	775	905	1160	1290
		Throw	13	18	21	24	28	33	43	47	60	67
	Ak = 0.645	NC	30	30	30	30	35	35	35	40	45	45
20x8	126	CFM	335	440	530	615	705	880	1080	1236	1590	1780
		Throw	17	20	24	28	32	39	47	55	70	78
	Ak = 0.880	NC	30	30	30	30	35	35	35	40	45	45
20x20	314	CFM	973	1217	1462	1706	1944	2434	2924	3435	4378	4867
		Throw	24	30	35	41	46	59	70	82	102	116
	Ak = 2.436	NC	30	30	30	35	35	35	40	40	45	45
22x12	208	CFM	598	748	898	1048	1195	1495	1795	2093	2690	2990
		Throw	20	26	31	36	41	51	61	72	92	102
	Ak = 1.495	NC	30	30	30	30	35	35	35	40	45	45
24x6	120	CFM	310	390	465	545	620	775	930	1090	1400	1555
		Throw	15	18	22	26	28	37	44	51	66	73
	Ak = 0.777	NC	30	30	30	30	35	35	35	40	45	45
24x8	151	CFM	425	530	635	740	850	1060	1270	1485	1910	2120
		Throw	17	21	23	30	34	44	51	60	77	85
	Ak = 1.060	NC	30	30	30	30	35	35	35	40	45	45
24x10	189	CFM	540	675	810	945	1080	1350	1620	1890	2430	2700
		Throw	19	24	29	34	39	48	58	68	87	97
	Ak = 1.350	NC	30	30	30	30	35	35	35	40	45	45
24x12	227	CFM	655	820	985	1150	1310	1640	1970	2295	2950	3280
		Throw	21	27	32	38	43	53	64	75	96	107
	Ak = 1.640	NC	30	30	30	30	35	35	40	40	45	45
30x6	140	CFM	390	490	585	685	780	975	1170	1385	1755	1950
		Throw	16	21	25	29	33	41	49	57	74	82
	Ak = 0.977	NC	30	30	30	30	35	35	35	40	45	45
30x8	188	CFM	535	670	805	940	1070	1340	1610	1875	2410	2680
		Throw	19	24	29	34	38	48	58	67	87	96
	Ak = 1.340	NC	30	30	30	30	35	35	35	40	45	45

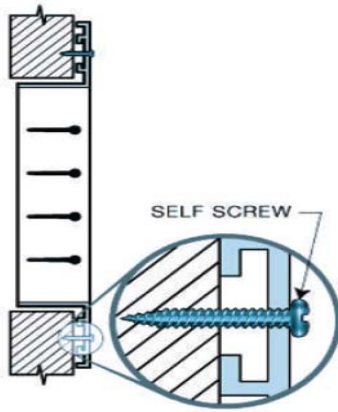
Velocity: The actual velocity of the air through the vanes measured with a velometer or similar device.

Throw : The throws listed in the table is the distance from the register to where the air stream velocity is no less than 75 F.P.M.



MOUNTING DETAILS

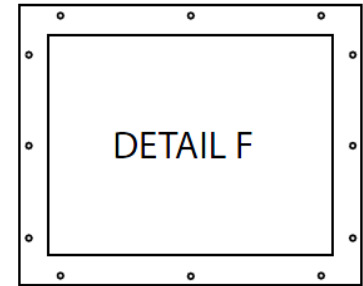
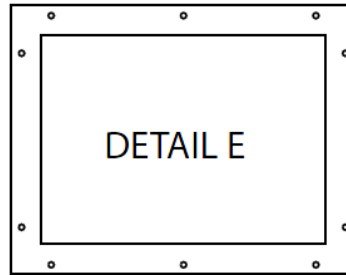
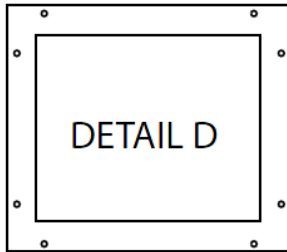
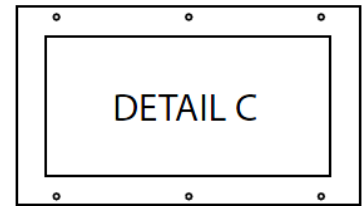
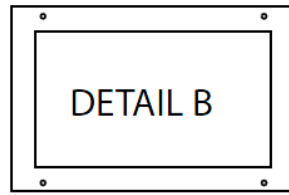
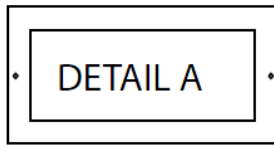
1. Screw Mounting Details



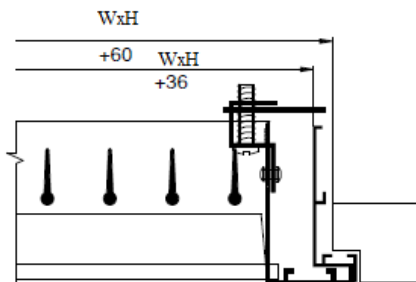
Mounting Hole Guide for Products

The following products in this section have embossed (recessed) mounting holes.

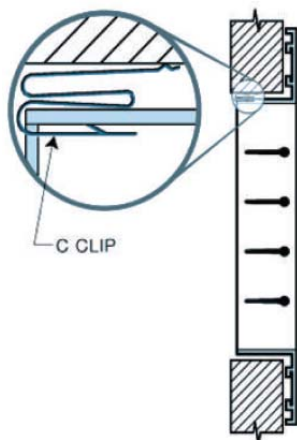
		WIDHT																					
		6	8	10	12	14	16	18	20	22	24	26	28	30	32	34	36	38	40	42	44	46	
HEIGHT	4																						
	5																						
	6			A						B													
	8			2 Holes						4 Holes										C			
	10																			6 Holes			
	12																						
	14																						
	16																						
	18																						
	20																						
	22			B						D										E			
	24			4 Holes						8 Holes										10 Holes			
	26																						
	28																						
30																							
32			C						E										F				
34			6 Holes						10 Holes										12 Holes				
36																							
38																							



2. Clips Latch Mounting Details



3. Clips Spring Mounting Details

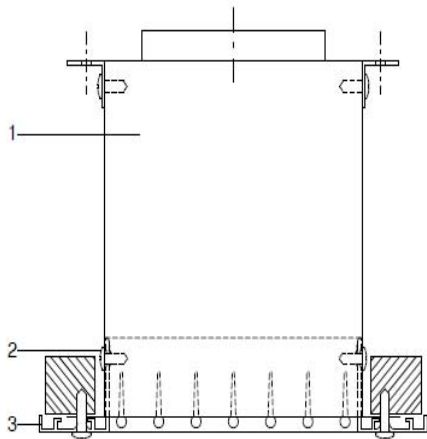




RETURN GRILLES PLENUM BOX MOUNTING DETAILS

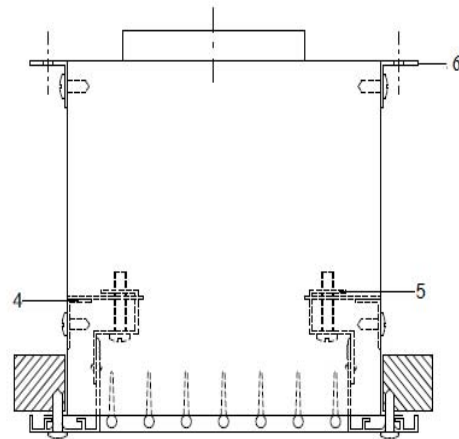
1 - TOP ENTRY PLENUM BOX MOUNTING DETAILS

SUPPLY GRILLE + PLENUM BOX
STANDARD MOUNTING



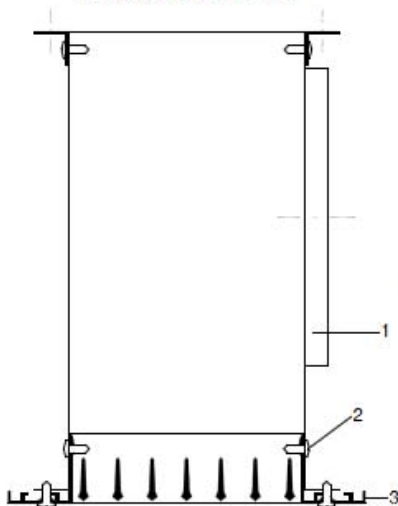
- 1 - Plenum Box
- 2 - Screw
- 3 - Supply Grille
- 4 - Profil for clips
- 5 - Clips
- 6 - Hook Pieces

SUPPLY GRILLE + PLENUM BOX
STANDARD CLIPS MOUNTING



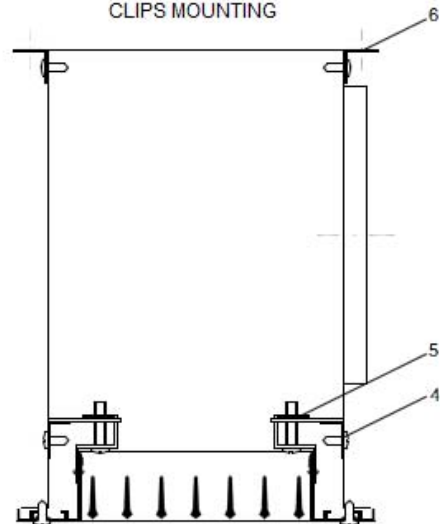
2 - SID ENTRY PLENUM BOX MOUNTING DETAILS

SUPPLY GRILLE + PLENUM BOX
STANDARD MOUNTING



- 1 - Plenum Box
- 2 - Screw
- 3 - Supply Grille
- 4 - Profil for Clips
- 5 - Clips
- 6 - Hook Pieces

SUPPLY GRILLE + PLENUM BOX
CLIPS MOUNTING





FINISHES



POWDER COAT



WHITE



PURE WHITE



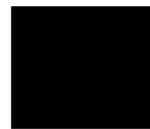
OFF WHITE



GREY



SILVER



BLACK

ANODIZED



AC ANODIZED CLEAR



ACH ANODIZED
CHAMPAGNE



ALB ANODIZED
LIGHT BRONZE



AMB ANODIZED
MEDIUM
BRONZE



ADB ANODIZED
DARK BRONZE



AB ANODIZED BLACK

OTHER FINISHES



MILL

Available on aluminum products. Untreated from the mill, unpainted.



CUSTOM

Custom colors and simulated anodized finishes can be accurately matched to supplied color samples.



RAL

RAL Catalog Colors



ORDER CODES

RG	V	WD	01	SM	N 300X200
RG-H: Horizontal Blade RG-V: Vertical Blade		WD- WITHOUT DAMPER MD- MULTI SHUTTER DAMPER OD- OPPOSED BLADE DAMPER	01.White - 02.OFF White - 03. Silver 06.Mill Finish (without coating) 04.Anodized Coating - 05.Black 07.Custom-08.RAL Catalog Colors	SM: Screw Mounting CLM: Clips Latch Mounting CSM: Clips Spring Mounting	N: Neck Size Listed Size F: Frame Size