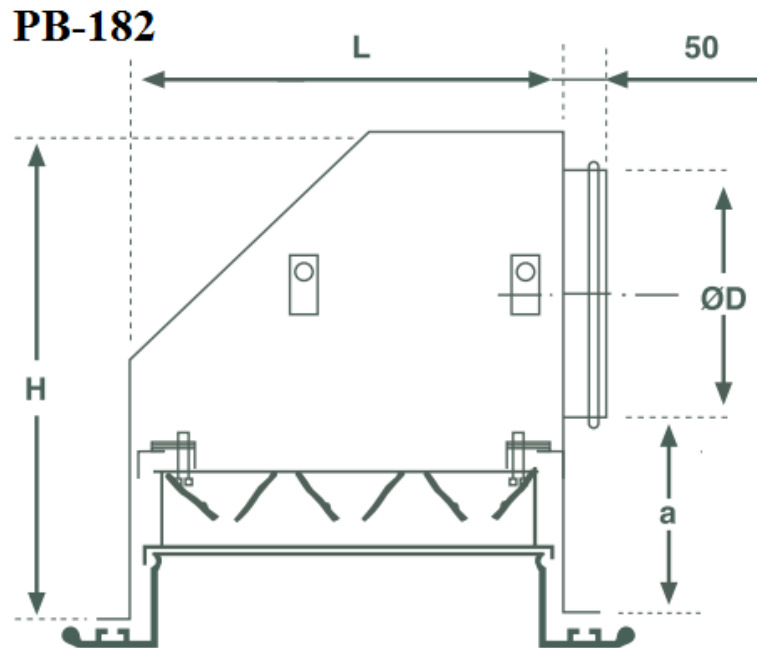


**GMC PB-082 PRODUCT SPECIFICATIONS:**

- Standard Material: Galvanized Steel Sheet.
- Suitable for suspended roof applications. Assembling with main air duct is done via flexible air ducts, so placing grilles or diffusers is easier than any other application.
- Has four models: Standard Lateral Access (PB-182) Lateral Access with Spigot-Damper (PB-282), Standard Overhead Access (PB-382) and Overhead Access with Spigot-Damper (PB-482).
- On request, inner and outer surfaces can be insulated.
- On request, an air valve (made from perforated sheet) can be added for adjusting air volume.
- Screw, Clip or Support Beam assemblies are available for mounting.

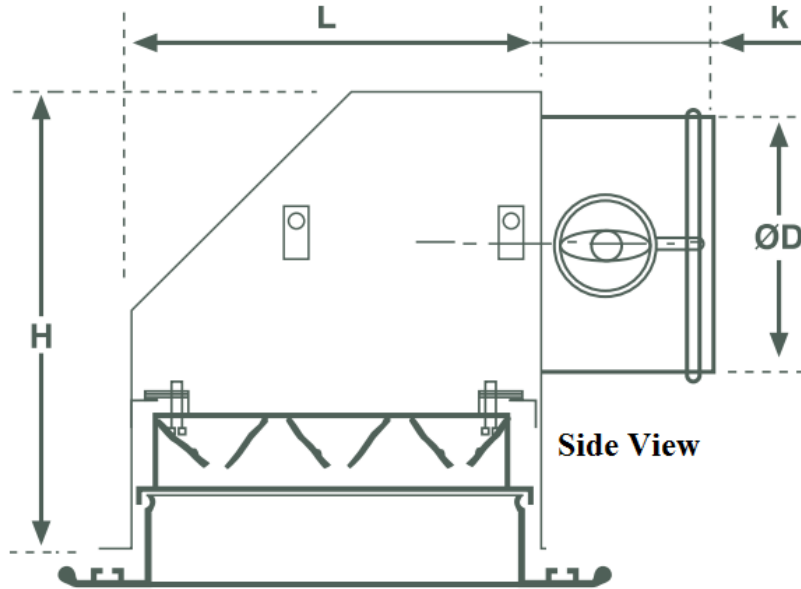
TECHNICAL DETAILS



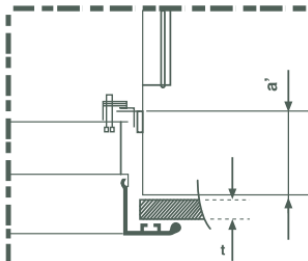
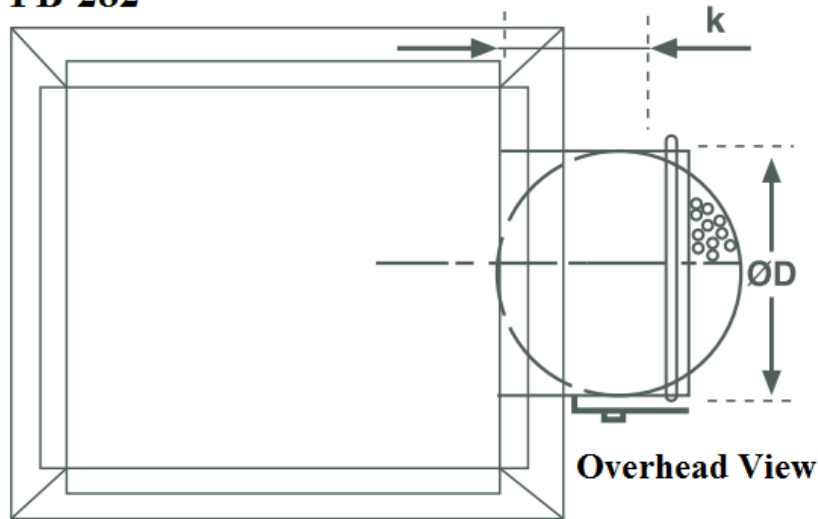
Grille Type	L (mm)	H (mm)	a (mm)
SDG-00, LNG-003, SGG-005	$(W+30)*(H+30)$	$\varnothing D+50 \quad \varnothing D+100$	35
SDG-00, LNG-003, SGG-005 (with Damper)	$(W+30)*(H+30)$	$\varnothing D+110 \quad \varnothing D+160$	75
DDG-002	$(W+30)*(H+30)$	$\varnothing D+70 \quad \varnothing D+120$	55
DDG-002 (with Damper)	$(W+30)*(H+30)$	$\varnothing D+130 \quad \varnothing D+180$	95



PB-282



PB-282



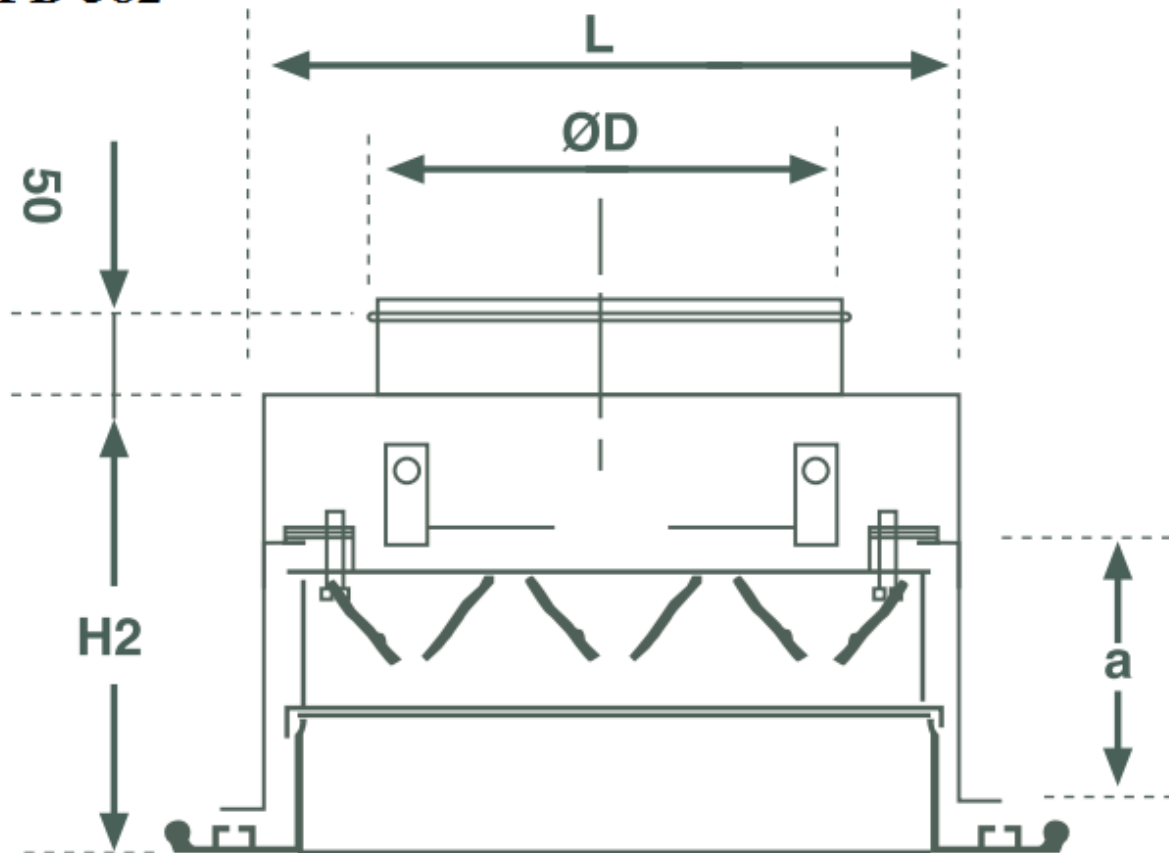
If there is ceiling elements between box flange and grille;

$$a' = a - t$$

Insulation Type	Insulation Thickness
Acoustic Foam Insulation Class-0	5-10-15
Thermal Insulation Rubber Foam	6-9-13

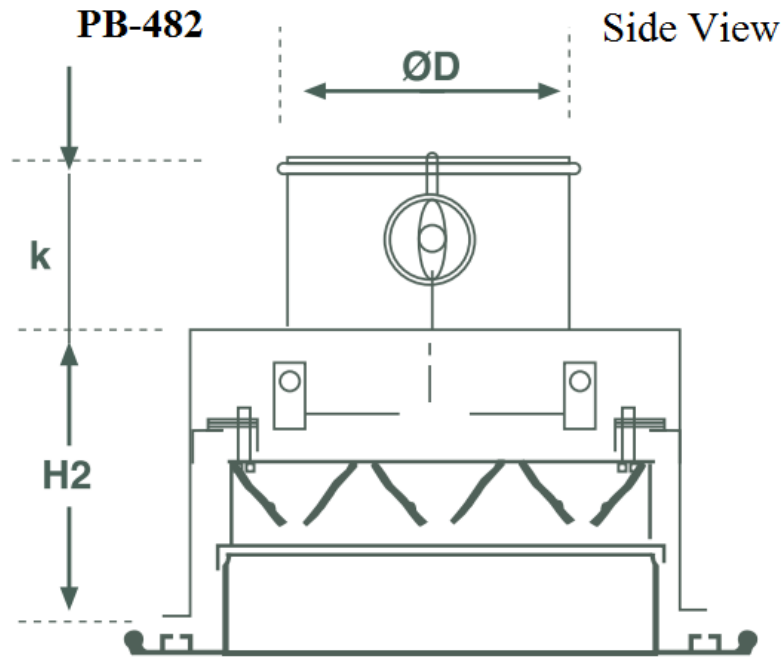
$$k = \frac{\text{ØD}}{2} + 100 \text{ mm}$$

PB-382

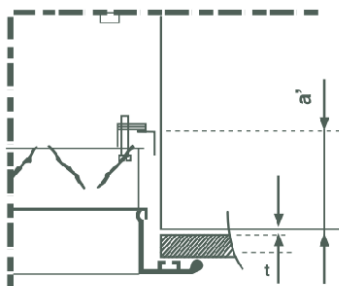
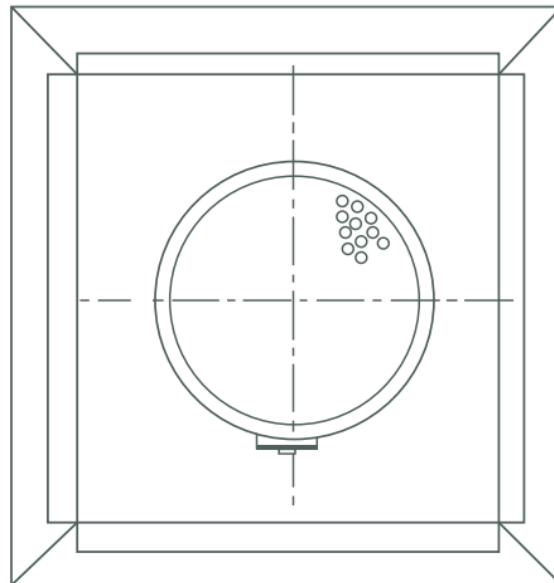


Grille or Diffuser Type	L (mm)	H (mm) Minimum	H (mm) Standard	a (mm)
SDG-00, LNG-003, SGG-005	$(W+30)*(H+30)$	70	200	35
SDG-00, LNG-003, SGG-005 (with Damper)	$(W+30)*(H+30)$	120	250	75
DDG-002	$(W+30)*(H+30)$	150	250	55
DDG-002 (with Damper)	$(W+30)*(H+30)$	200	300	92
SCD-120	$\text{ØD}+90$	120	250	50
SCD-120 (with Damper)	$\text{ØD}+90$	180	300	90
SCD-120, SCD-220	$\text{ØD}+60$	120	250	45
CCD-021	$\text{ØD}+200$	150	400	-

$$H2 = \text{ØD}/2 + H$$



PB-482 Overhead View



If there is ceiling elements between box flange and grille;

$$a' = a - t$$

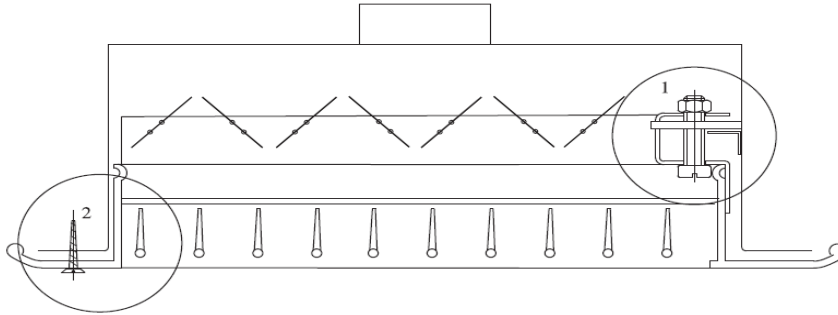
Insulation Type	Insulation Thickness
Acoustic Foam Insulation Class-0	5-10-15
Thermal Insulation Rubber Foam	6-9-13

$$k = \frac{\text{ØD}}{2} + 100 \text{ mm}$$

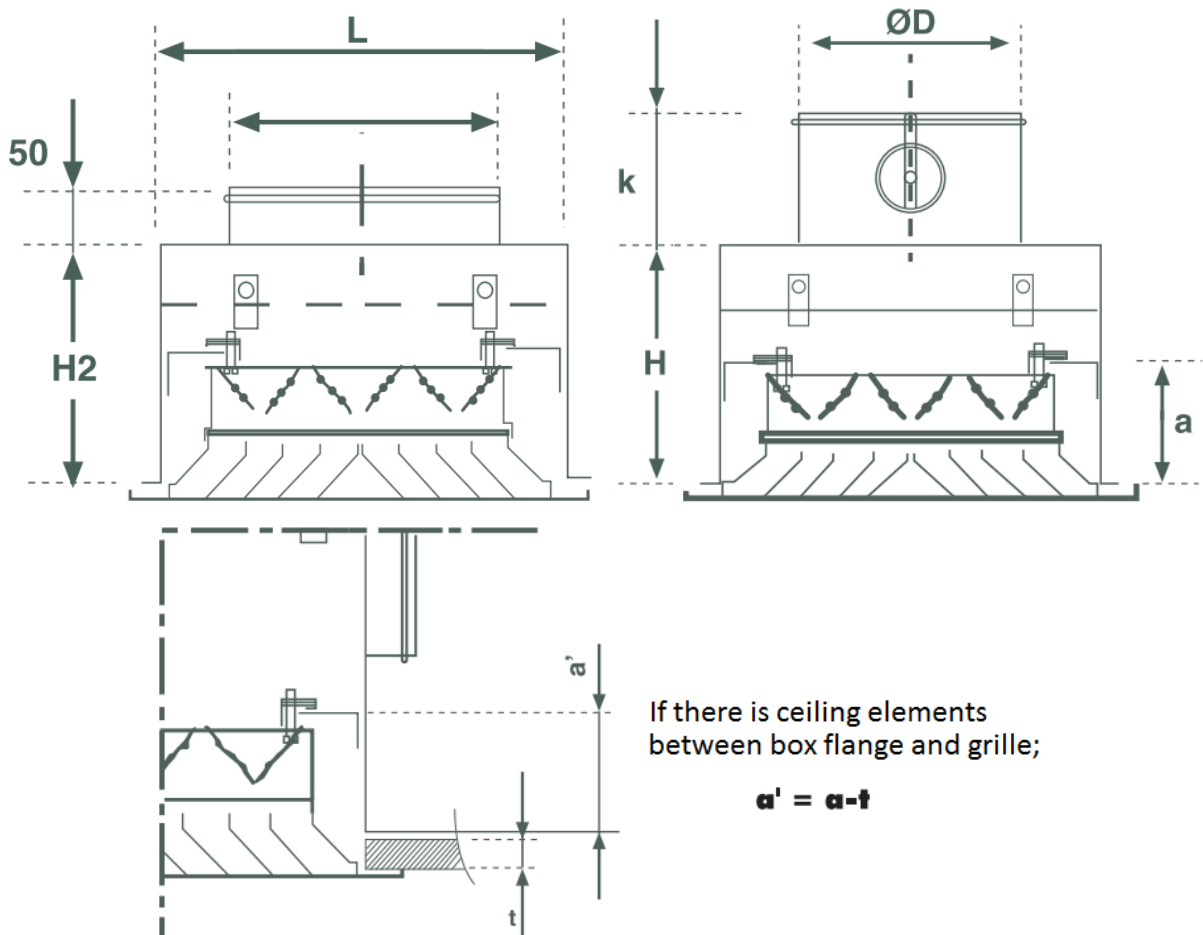


MAIN MOUNTING DETAILS

1. CLIP ASSEMBLY DETAIL
2. SCREW ASSEMBLY DETAIL



PLENUM BOX – DIFFUSER MOUNTING DETAIL



Diffuser Type	L (mm)	H (mm) Minimum	H (mm) Standard	a (mm)
<i>Look at Page 4.</i>				



ORDER PARAMETERS:

PB-082	00	DI	SM	W400xH600	L 200	2	D 250
PB-182: Lateral Access PB-282: Lateral Access + Spigot Damper PB-382: Overhead Acc. PB-482: Overhead Acc. + Spigot Damper							D: Neck Diameter
00: No perforated plate PP: Perforated Plate							N: Number of Access Necks
00: No Damper DI: Damper with Interior Control DE: Damper with Exterior Control							L: Product Length
00: No Mounting SM: Screw Mounting BM: Support-Beam Mounting							W: Width x H: Height