



DESCRIPTION:

CD: Circular ceiling diffuser with removable core.

MATERIAL:

- Standard Production : Aluminum frame and core

APPLICATION:

CD series circular ceiling diffuser used for the supply of cooled and heated air in facilities like offices, shopping rent etc...CD can used for ceiling installation

FINISHING:

- Powder coated in RAL 9010 colour as standard
- Other colours on request

INSTALLATION:

- Screw {Standard}
- Bridge
- No fixing

ACCESSORIES:

- If desired, it is possible to add a damper to adjust the amount of air to be collected.
KD: Butterfly Damper
HKD: Hit and Miss Damper
- PK: Plenum Box
- KS: Mounting Frame

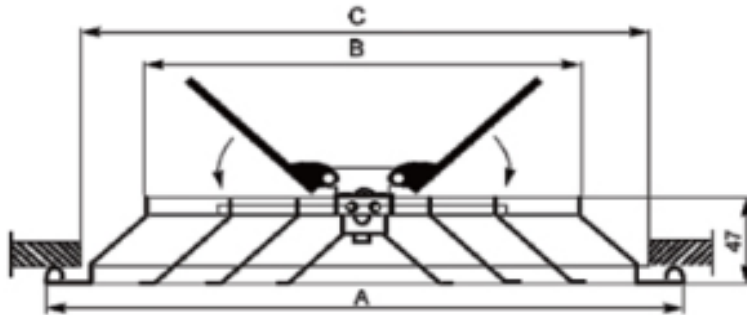


STANDARD SIZES (mm):

CD-RA	A	B	C
150	257	149	225
200	307	199	275
250	357	249	325
300	407	299	375
350	457	349	425

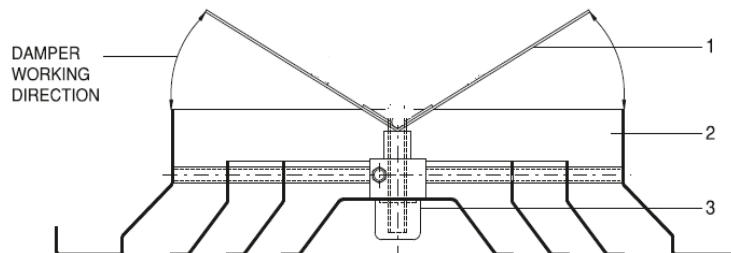
* Any combination of these sizes

TECHNICAL DRAWINGS:



CIRCULAR CEILING DIFFUSERS WITH BUTTERFLY DAMPER

- 1-BUTTERFLY DAMPER
- 2-CIRCULAR CEILING DIFFUSER
- 3-DAMPER ADJUST CATCH





EFFECTIVE AREA Ak(m2)

Neck Diameter ØDmm	Effective Area m ²
150	0,0160
200	0,0280
250	0,0420
300	0,0580
350	0,0735

SELECTION TABLE

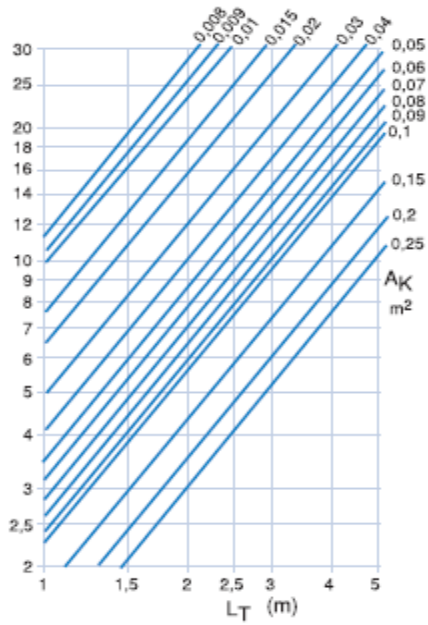
Neck Diameter ØDmm	Effective Area m ²	AIR VELOCITY m/s								
		1,5	2,0	2,5	3,0	4,0	5,0	6,0	7,0	8,0
150	0,0160	86	115	144	173	230	288	346	403	461
200	0,0280	151	202	252	302	403	504	605	706	806
250	0,0420	227	302	378	454	605	756	907	1058	1210
300	0,0580	313	418	522	626	835	1044	1253	1462	1670
350	0,0735	397	529	662	794	1058	1323	1588	1852	2117

Flow Rate m³/h

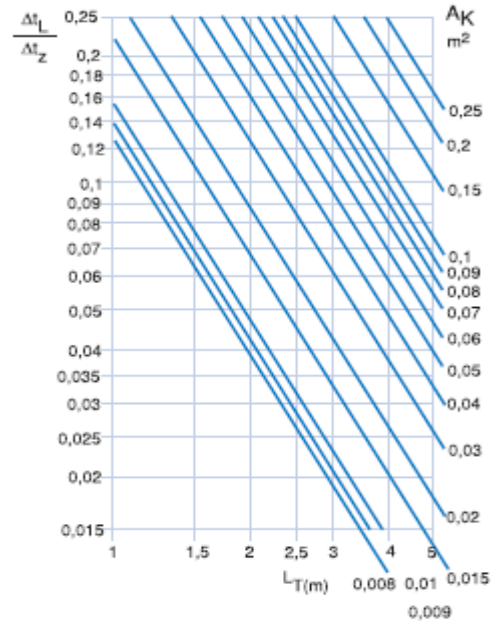


TEMPERATURE VARIABLES

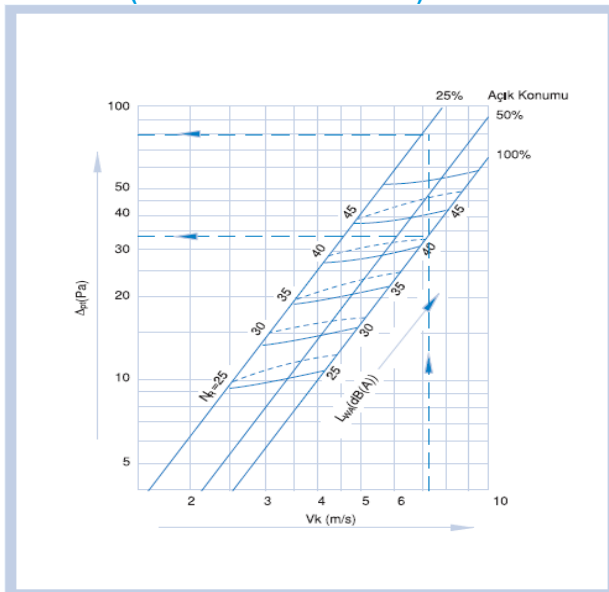
INDUCTION SELECTION DIAGRAM



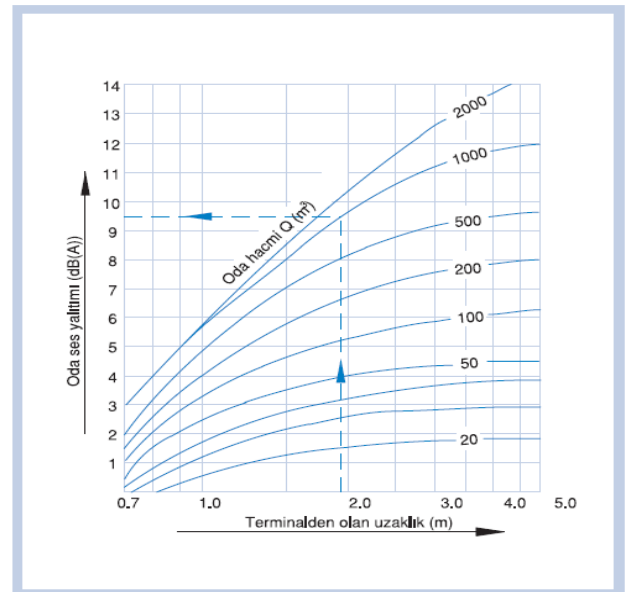
TEMPERATURE VARIABLE SELECTION



SOUND LEVEL AND PRESSURE LOSS DIAGRAM (BUTTERFLY DAMPER)



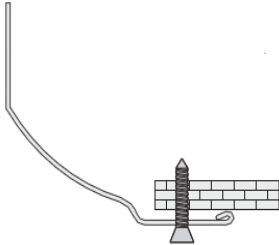
ROOM VOICE DELIVERY DIAGRAM





MOUNTING DETAILS

Screw Mounting Details

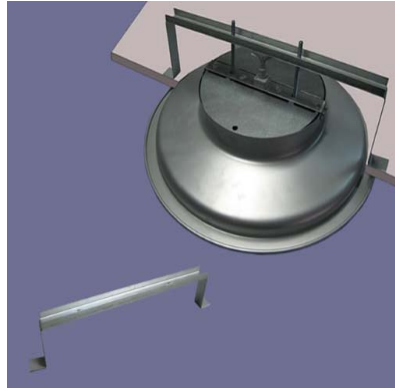
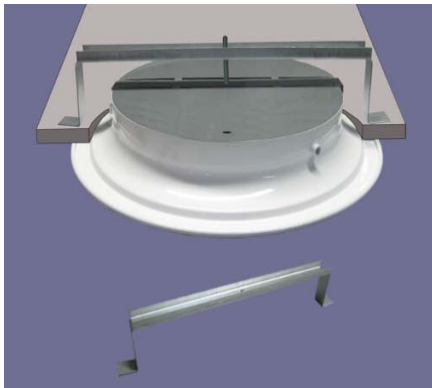


Frame Screw Mounting Type



Circular Duct type Mounting type

Bridged Mounting Details

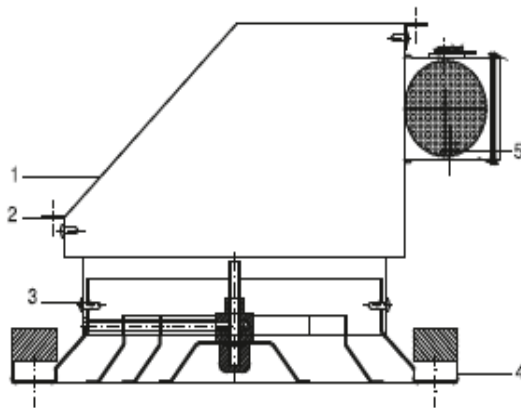




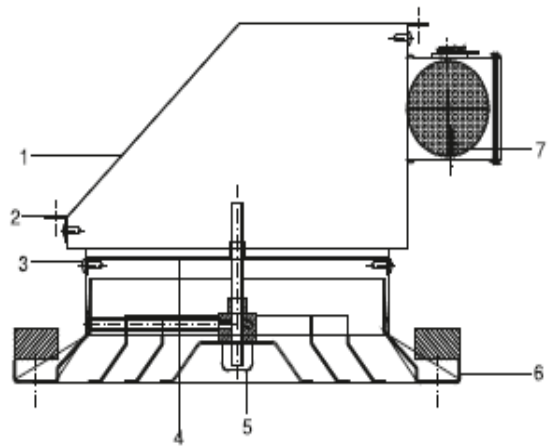
PLENUM BOX STANDARD MOUNTING



YTA-CIRCULAR CEILING DIFFUSER
+ PLENUM BOX
STANDARD SCREW MOUNTING (without instulation)

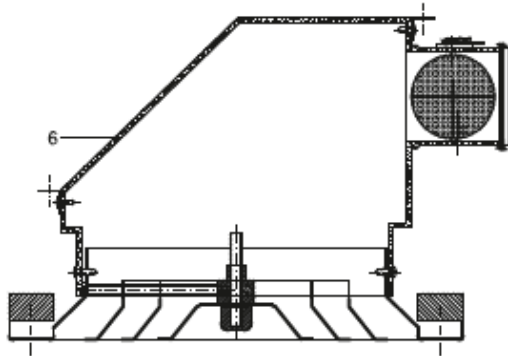


YTA-CIRCULAR CEILING DIFFUSER
+ PLENUM BOX
STANDARD BRIDGE MOUNTING (without instulation)



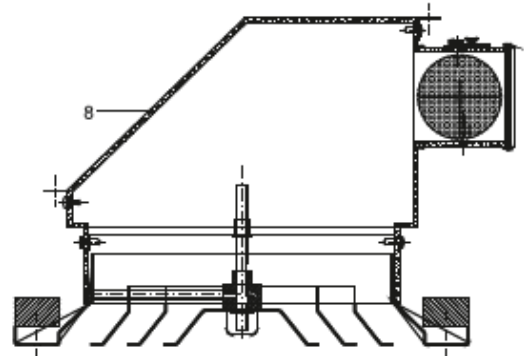


**YTA-CIRCULAR CEILING DIFFUSER
+ PLENUM BOX
STANDARD SCREW MOUNTING (with insulation)**



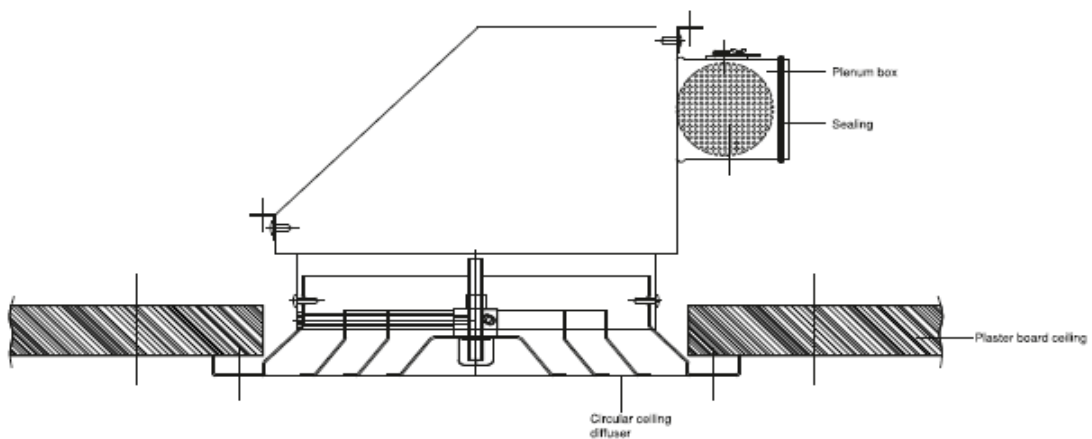
- 1-Plenum box
- 2-L Profile
- 3-Screw
- 4-Circular ceiling diffuser
- 5-Air control damper
- 6-Insulation

**YTA-CIRCULAR CEILING DIFFUSER
+ PLENUM BOX
STANDARD BRIDGE MOUNTING (with insulation)**



- 1-Plenum box
- 2-L Profile
- 3-Screw
- 4-Plenum box
- 5-Circular diffuser
- 6-Circular ceiling diffuser
- 7-Air control damper
- 8-Insulation

SPECIAL CEILING INSTALLATION DETAILS





ORDER CODES:

YTA	CD	A	xx	RAL9010	VD	W Ø300
CD : Removable core						W: Neck Size C: Frame Size
		Aluminum frame and core : A				XX: without Mounting VD: Screw Mounting KP: Bridge Mounting KS: Mounting Frame
		XX: WITHOUT DAMPER KD: BUTTERFLY DAMPER				00: without coating EL: Anodic Aluminium RAL----: Powder Coated RAL