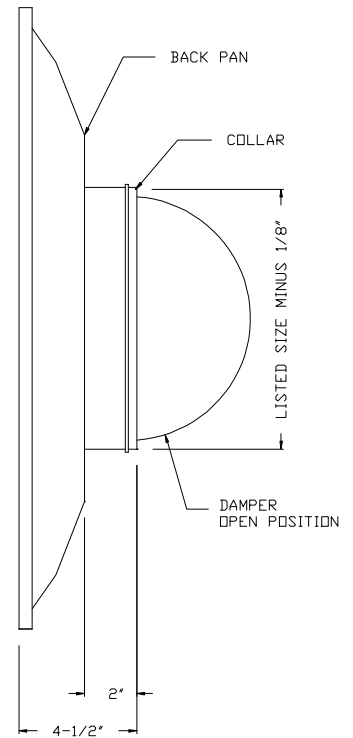
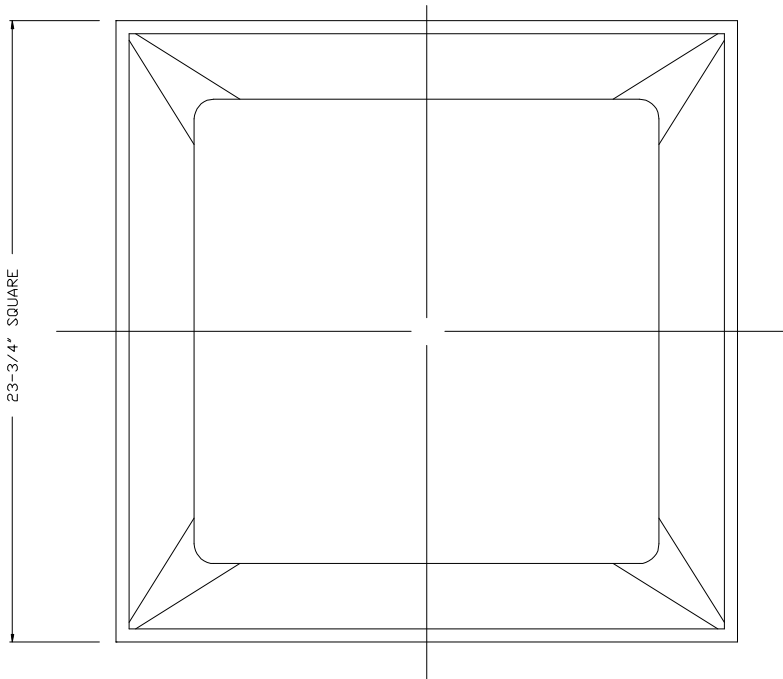


1. STEEL CONSTRUCTION
2. 24" x 24" T-BAR LAY-IN
3. PLAQUE PANEL DESIGN
4. PANEL IS REMOVABLE
5. HIGH CAPACITY PERFORMANCE
6. 2" STANDARD INLET COLLAR WITH INTEGRAL BEAD FOR FLEX DUCT RETENTION
7. COLLARS AVAILABLE FROM 6" TO 14"
8. INCLUDES MODEL BDS DAMPER
9. 360 DEGREE AIR PATTERN
10. WHITE (01) FINISH



SPD-D					
Module 24x24	Dia				
	6"	8"	10"	12"	14"
	X	X	X	X	X

Submittal No.	Revision:	Date: 08/01/2019	Submitted by:	Date submitted:
---------------	-----------	------------------	---------------	-----------------