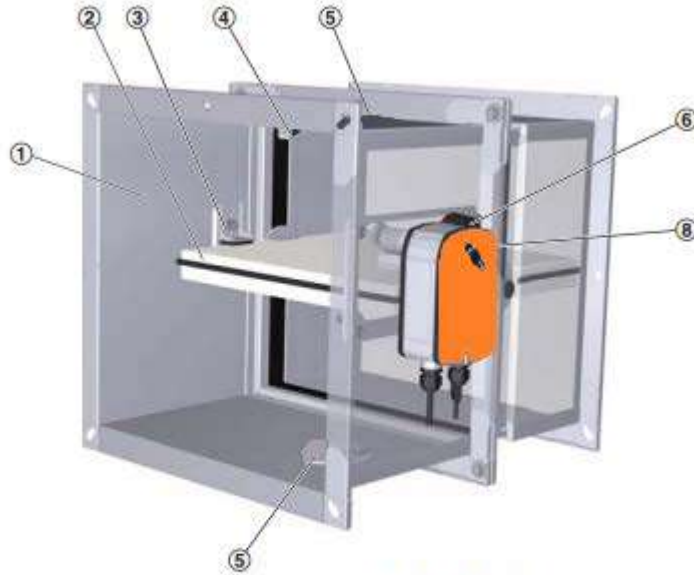




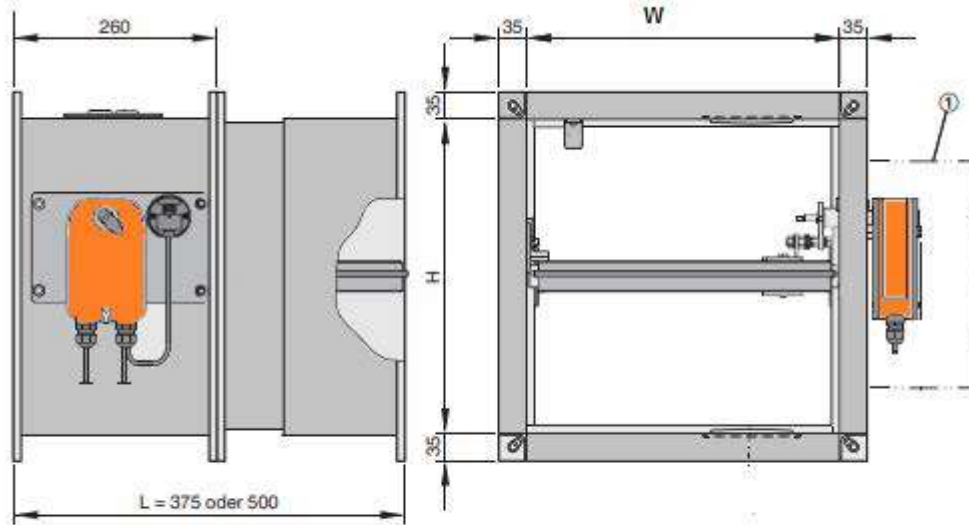
MODEL YD344

Prismatic Fire Damper with Motor-EN

Project:
Tag:
Engineer:
Contractor:
Date:



- ① Casing
- ② Damper blade
- ③ Travel stop for OPEN position
- ④ Travel stop for CLOSED position
- ⑤ Inspection access
- ⑥ Temperature sensor
- ⑦ Spring return actuator



① Keep clear to provide access to the spring return actuator

As part of our continuous improvement program, we reserve the right to make further improvements without notice.

			Date submitted:
--	--	--	-----------------