

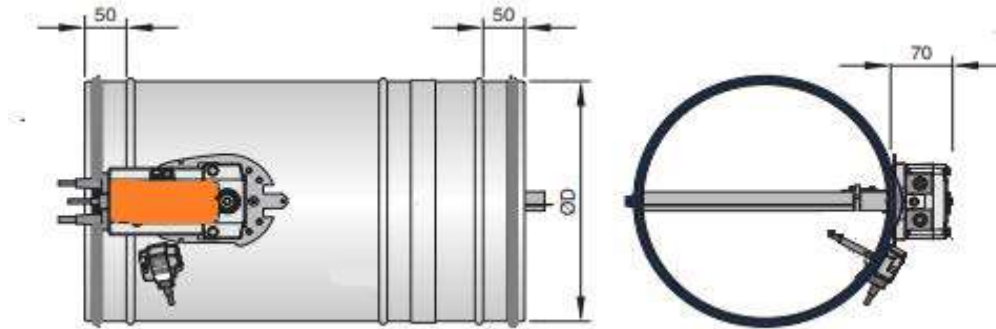


MODEL YD443

Round Fire Damper With Motor

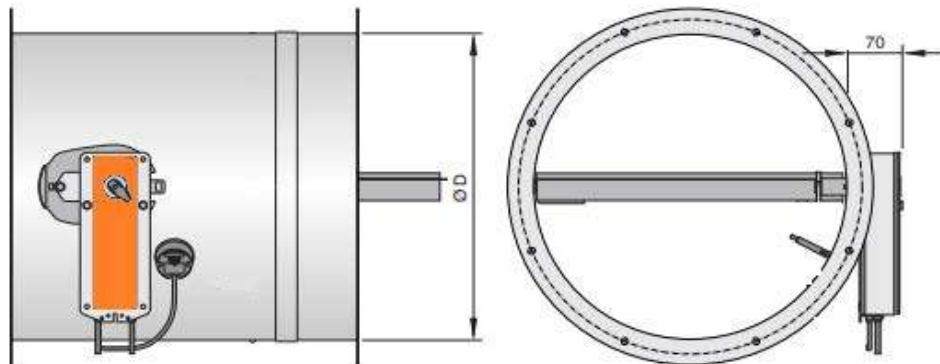
Project:
Tag:
Engineer:
Contractor:
Date:

without flange



Nominal size DN	315	355	400	450	500	560	630	710	800
ØD	314	354	399	449	499	559	629	709	799

with flange



Nominal size DN	315	355	400	450	500	560	630	710	800
ØD	314	354	399	449	499	559	629	709	799

As part of our continuous improvement program, we reserve the right to make further improvements without notice.

				Date submitted:
--	--	--	--	-----------------