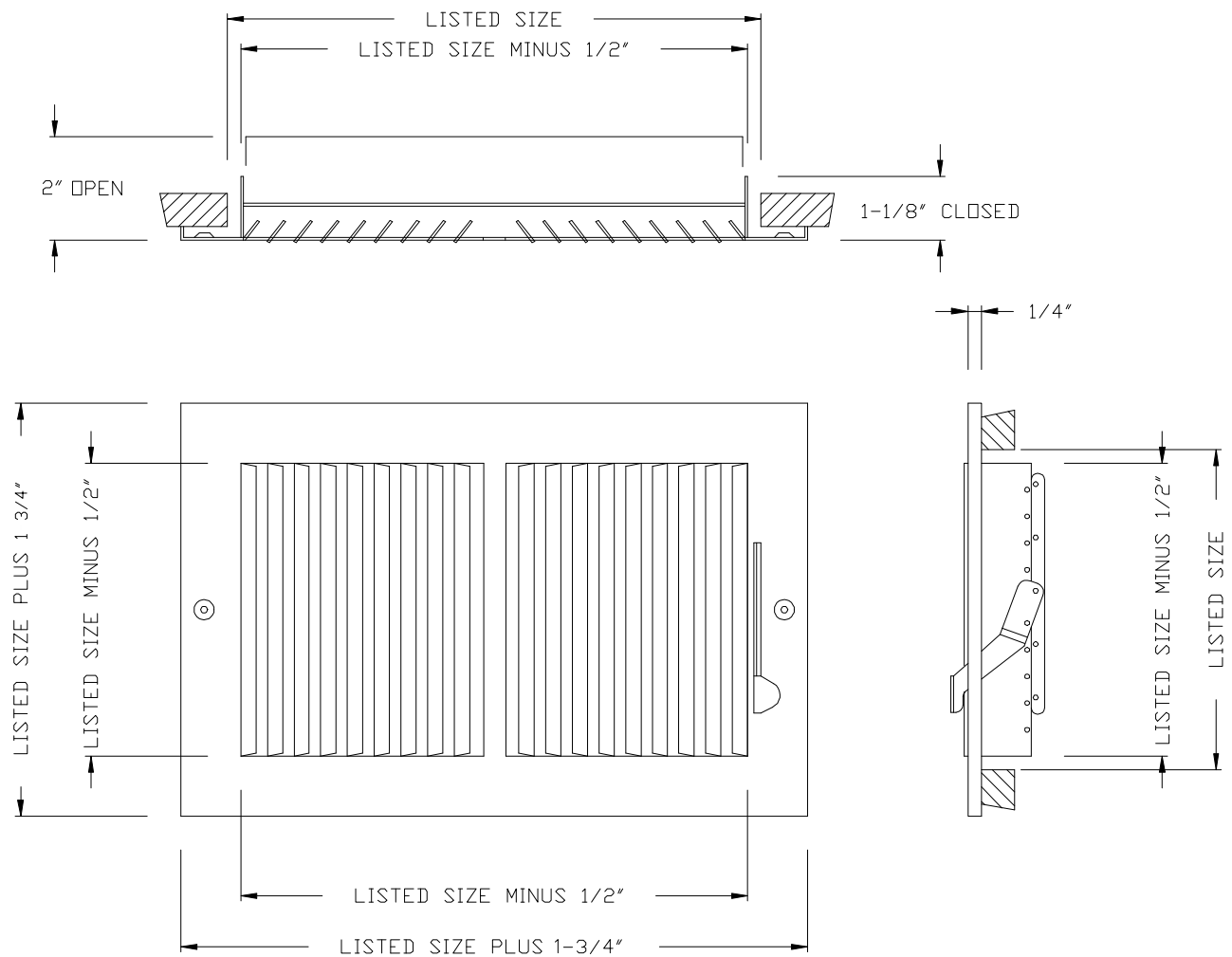


## MODEL B12 – 2-WAY STAMPED SIDEWALL SUPPLY

1. STEEL CONSTRUCTION
2. TWO WAY DEFLECTION
3. 1/2" SPACING LANCED FACE
4. MULTI-SHUTTER DAMPER TO CONTROL VOLUME OF AIR FLOW DELIVERED THROUGH THE FACE PANEL
5. RIVETED DAMPER BLADES TO END PANELS
6. STEEL HANDLE OPERATOR
7. COUNTERSUNK MOUNTING HOLES
8. INCLUDES 2" LONG ZIP SCREWS
9. WHITE FINISH (01)



B12						
Width						
Height	6"	8"	10"	12"	14"	16"
4"		X	X	X	X	
6"	X	X	X	X	X	X
8"		X	X	X	X	

Submittal No. B12

Revision:

Date: 01/01/2019

Submitted by:

Date submitted: