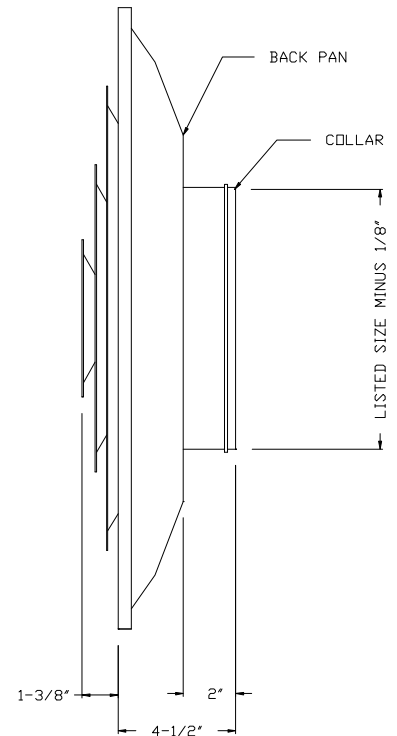
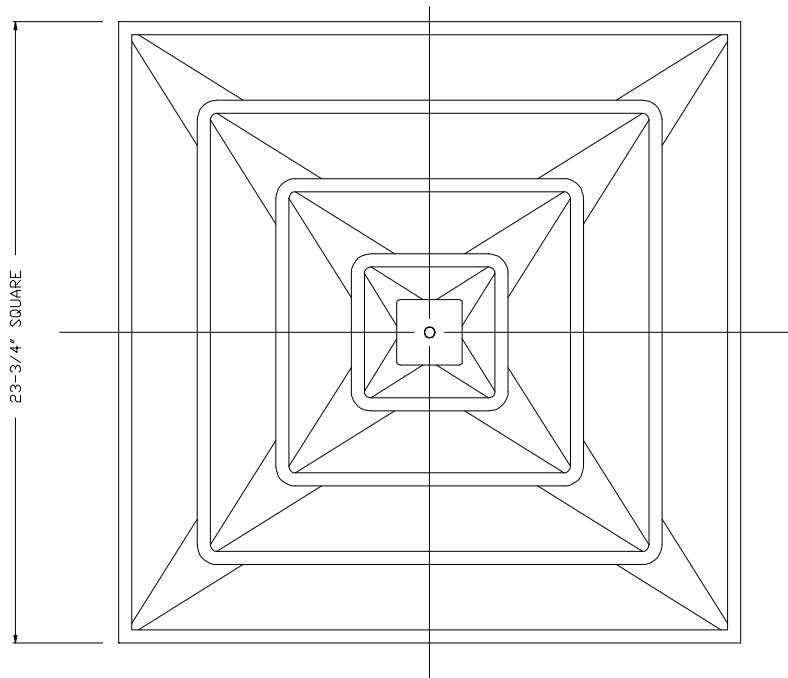


STEP DOWN CEILING DIFFUSER, 3 CONE, T-BAR STEEL

1. STEEL CONSTRUCTION
2. 24" x 24" T-BAR LAY-IN
3. 3 CONE FIXED DESIGN
4. HIGH CAPACITY PERFORMANCE
5. 2" STANDARD INLET COLLAR WITH INTEGRAL BEAD FOR FLEX DUCT RETENTION
6. COLLARS AVAILABLE FROM 6" TO 14"
7. 360 DEGREE AIR PATTERN
8. REMOVABLE CENTER PLUG FOR DAMPER ACCESS
9. WHITE FINISH



S3CD					
Module 24x24	Dia				
		6"	8"	10"	12"
	X	X	X	X	X

Submittal No.

Revision:

Date: 08/01/2019

Submitted by:

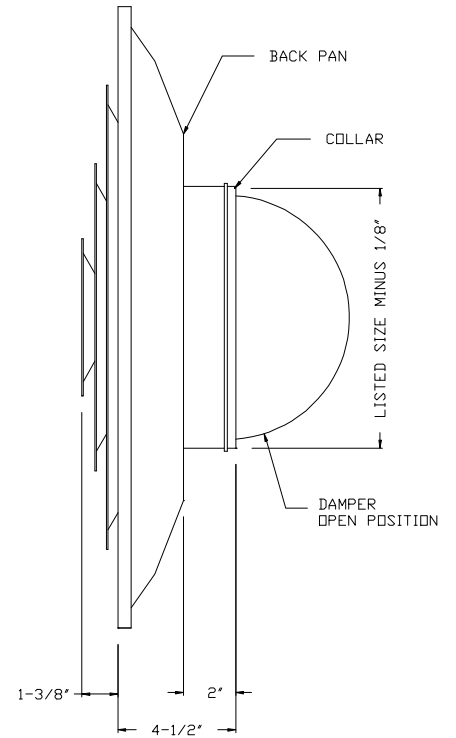
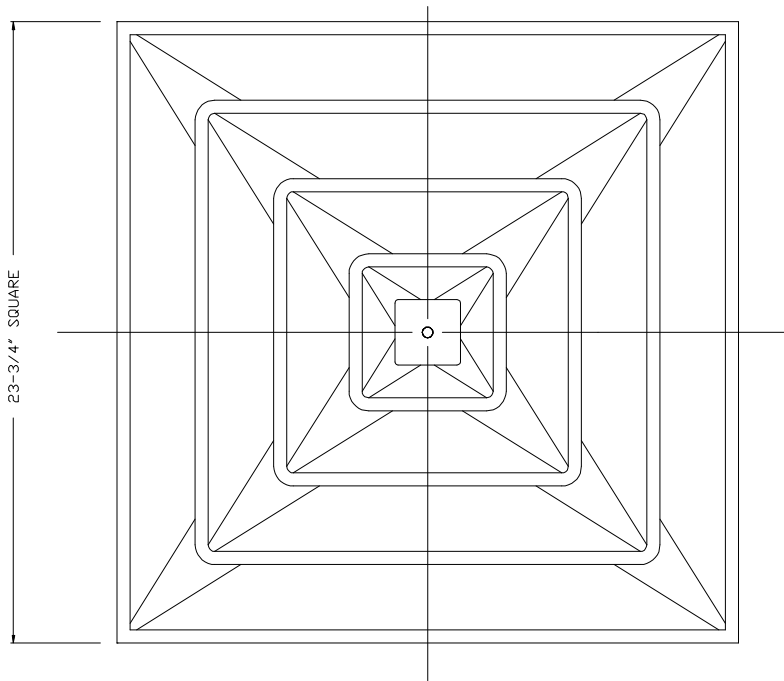
Date submitted:



MODEL S3CD-D

STEP DOWN CEILING DIFFUSER, 3
CONE W/DAMPER, T-BAR STEEL

1. STEEL CONSTRUCTION
2. 24" x 24" T-BAR LAY-IN
3. 3 CONE FIXED DESIGN
4. HIGH CAPACITY PERFORMANCE
5. 2" STANDARD INLET COLLAR WITH INTEGRAL BEAD FOR FLEX DUCT RETENTION
6. COLLARS AVAILABLE FROM 6" TO 14"
7. 360 DEGREE AIR PATTERN
8. INCLUDES MODEL BDS DAMPER
9. REMOVABLE CENTER PLUG FOR DAMPER ACCESS
10. WHITE FINISH



S3CD-D					
Module 24x24	Dia				
	6"	8"	10"	12"	14"
	X	X	X	X	X

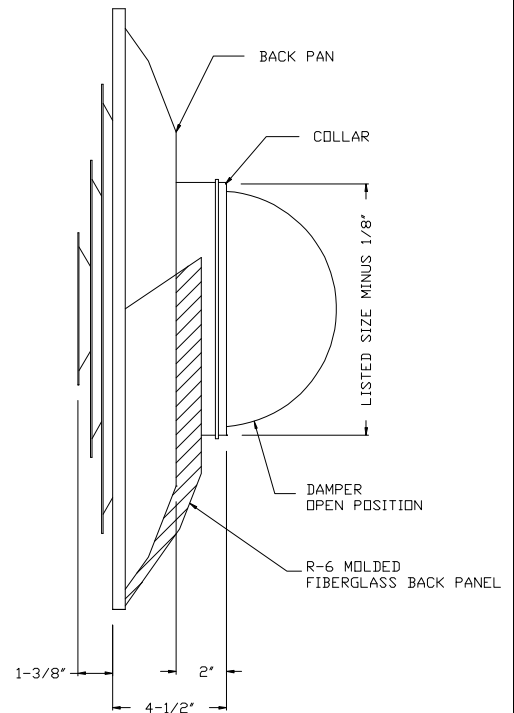
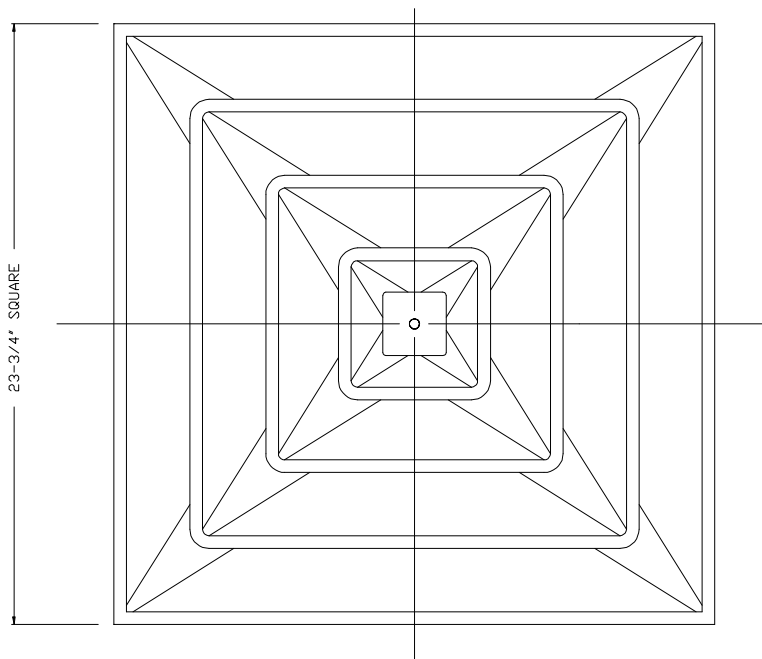
Submittal No.	Revision:	Date: 08/01/2019	Submitted by:	Date submitted:
---------------	-----------	------------------	---------------	-----------------



MODEL S3CD-DR6

STEP DOWN CEILING DIFFUSER, 3 CONE W/R6
MOLDED BACK AND DAMPER, T-BAR STEEL

1. STEEL CONSTRUCTION
2. 24" x 24" T-BAR LAY-IN
3. 3 CONE FIXED DESIGN
4. HIGH CAPACITY PERFORMANCE
5. 2" STANDARD INLET COLLAR WITH INTEGRAL BEAD FOR FLEX DUCT RETENTION
6. COLLARS AVAILABLE FROM 6" TO 14"
7. 360 DEGREE AIR PATTERN
8. INCLUDES R6 MOLDED FIBERGLASS BACK
9. INCLUDES MODEL BDS DAMPER
10. REMOVABLE CENTER PLUG FOR DAMPER ACCESS
11. WHITE FINISH



S3CD-DR6					
Module 24x24	Dia				
	6"	8"	10"	12"	14"
	X	X	X	X	X

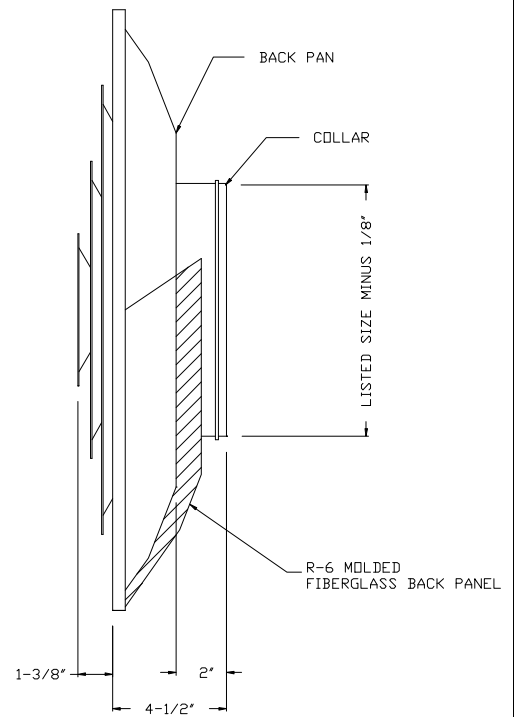
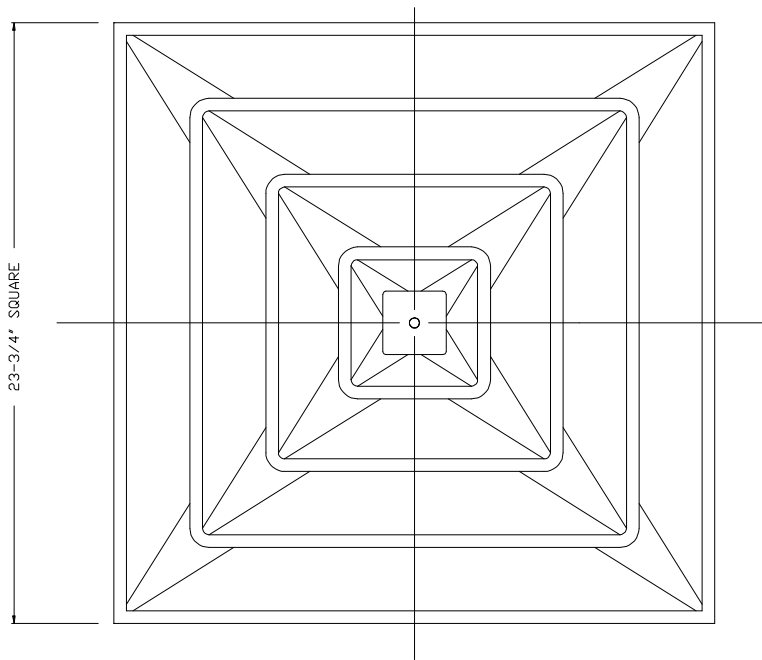
Submittal No. 4806D-6	Revision:	Date: 08/01/2017	Submitted by:	Date submitted:
-----------------------	-----------	------------------	---------------	-----------------



MODEL S3CD-R6

STEP DOWN CEILING DIFFUSER, 3 CONE W/
R6 MOLDED BACK, T-BAR STEEL

1. STEEL CONSTRUCTION
2. 24" x 24" T-BAR LAY-IN
3. 3 CONE FIXED DESIGN
4. HIGH CAPACITY PERFORMANCE
5. 2" STANDARD INLET COLLAR WITH INTEGRAL BEAD FOR FLEX DUCT RETENTION
6. COLLARS AVAILABLE FROM 6" TO 14"
7. 360 DEGREE AIR PATTERN
8. INCLUDES R6 MOLDED FIBERGLASS BACK
9. REMOVABLE CENTER PLUG FOR DAMPER ACCESS
10. WHITE FINISH



S3CD-R6					
Module 24x24	Dia				
		6"	8"	10"	12"
	X	X	X	X	X

Submittal No. 4806-6	Revision:	Date: 08/01/2017	Submitted by:	Date submitted:
----------------------	-----------	------------------	---------------	-----------------