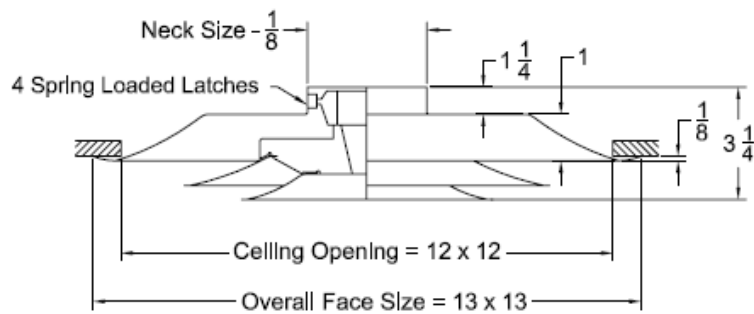
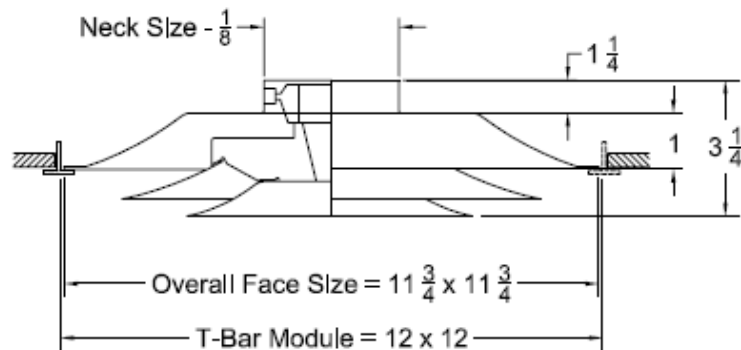


1. STEEL CONSTRUCTION
2. 12 x 12" T-BAR LAY-IN
3. 2 CONE FIXED DESIGN
4. HIGH CAPACITY PERFORMANCE
5. COLLARS AVAILABLE FROM 6" TO 8"
6. 360 DEGREE AIR PATTERN
7. REMOVABLE CENTER PLUG FOR DAMPER ACCESS
8. WHITE FINISH



-1 SURFACE MOUNTING



-6 T-BAR LAY-IN MOUNTING

Submittal No.

Revision:

Date: 10/01/2019

Submitted by:

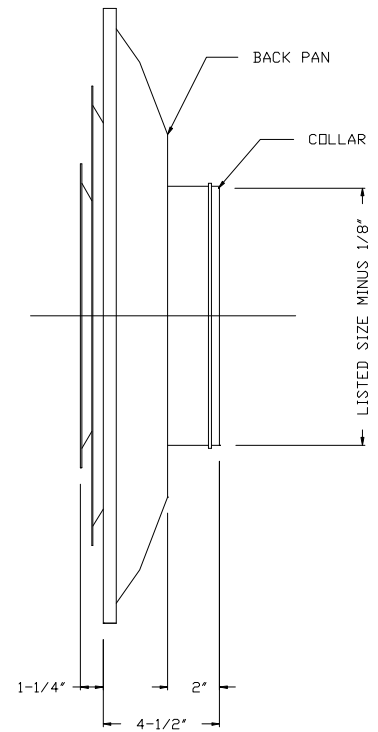
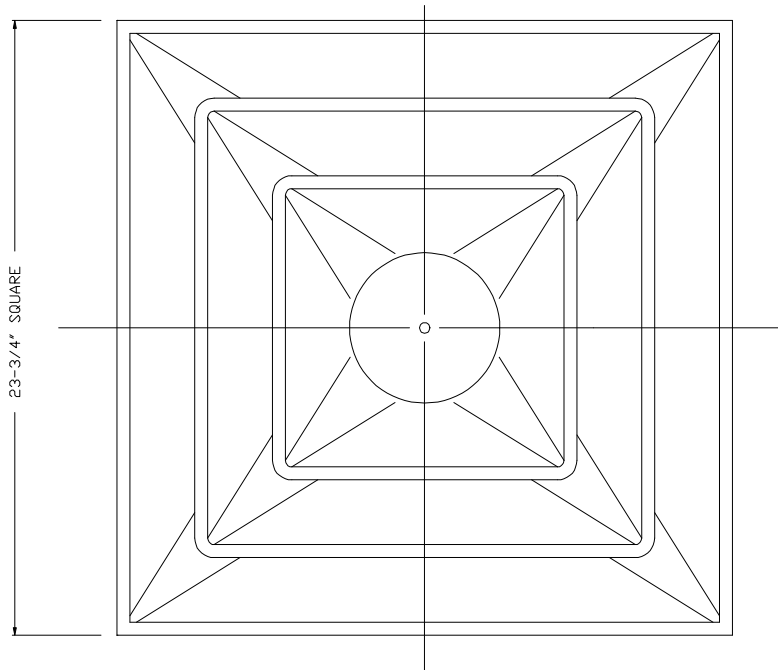
Date submitted:



MODEL S2CD

STEP DOWN CEILING DIFFUSER,
2 CONE, T-BAR STEEL

1. STEEL CONSTRUCTION
2. 24" x 24" T-BAR LAY-IN
3. 2 CONE FIXED DESIGN
4. HIGH CAPACITY PERFORMANCE
5. 2" STANDARD INLET COLLAR WITH INTEGRAL BEAD FOR FLEX DUCT RETENTION
6. COLLARS AVAILABLE FROM 6" TO 14"
7. 360 DEGREE AIR PATTERN
8. REMOVABLE CENTER PLUG FOR DAMPER ACCESS
9. WHITE FINISH



S2CD					
Module 24x24	Dia				
	6"	8"	10"	12"	14"
	X	X	X	X	X

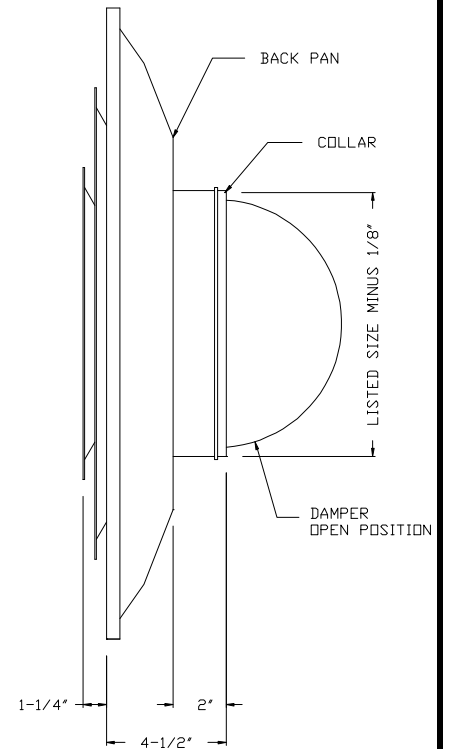
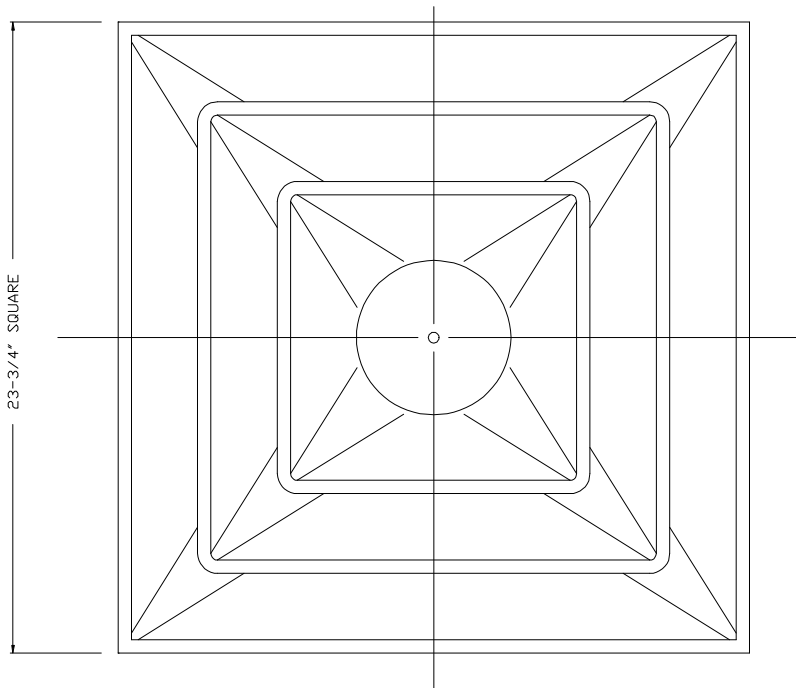
Submittal No.	Revision:	Date: 08/01/2019	Submitted by:	Date submitted:
---------------	-----------	------------------	---------------	-----------------



MODEL S2CD-D

STEP DOWN CEILING DIFFUSER, 2
CONE W/DAMPER, T-BAR STEEL

1. STEEL CONSTRUCTION
2. 24" x 24" T-BAR LAY-IN
3. 2 CONE FIXED DESIGN
4. HIGH CAPACITY PERFORMANCE
5. 2" STANDARD INLET COLLAR WITH INTEGRAL BEAD FOR FLEX DUCT RETENTION
6. COLLARS AVAILABLE FROM 6" TO 14"
7. 360 DEGREE AIR PATTERN
8. INCLUDES MODEL BDS DAMPER (SHIPPED SEPARATELY)
9. REMOVABLE CENTER PLUG FOR DAMPER ACCESS
10. WHITE FINISH



S2CD-D					
Module 24x24	Dia				
		6"	8"	10"	12"
	X	X	X	X	X

Submittal No.

Revision:

Date: 08/01/2019

Submitted by:

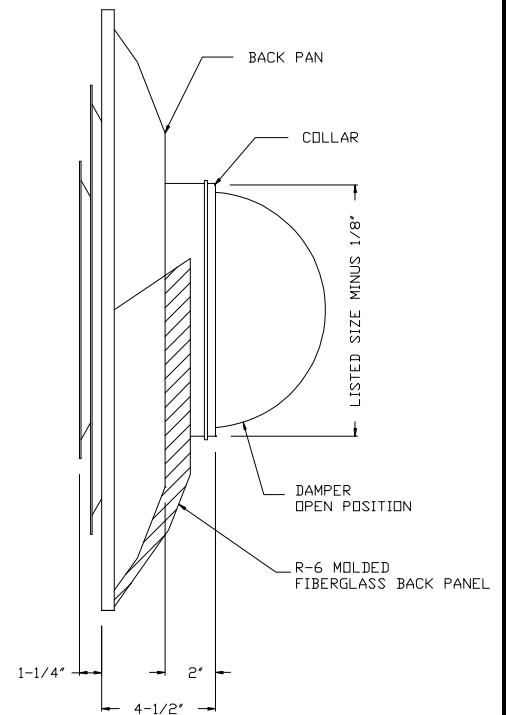
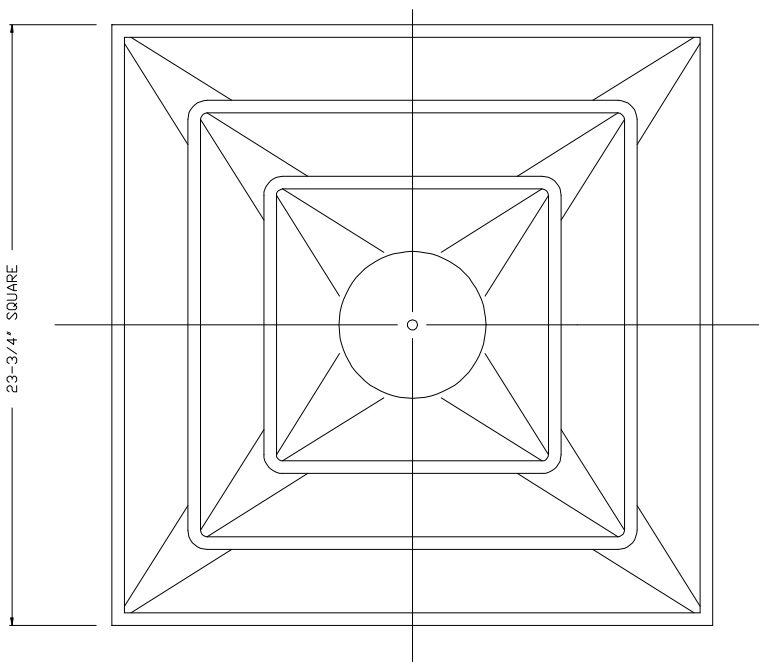
Date submitted:



MODEL S2CD-DR6

STEP DOWN CEILING DIFFUSER, 2 CONE W/R6
MOLDED BACK AND DAMPER, T-BAR STEEL

1. STEEL CONSTRUCTION
2. 24" x 24" T-BAR LAY-IN
3. 2 CONE FIXED DESIGN
4. HIGH CAPACITY PERFORMANCE
5. 2" STANDARD INLET COLLAR WITH INTEGRAL BEAD FOR FLEX DUCT RETENTION
6. COLLARS AVAILABLE FROM 6" TO 14"
7. 360 DEGREE AIR PATTERN
8. INCLUDES R6 MOLDED FIBERGLASS BACK
9. INCLUDES MODEL BDS DAMPER
10. REMOVABLE CENTER PLUG FOR DAMPER ACCESS
11. WHITE FINISH



S2CD-DR6					
Module 24x24	Dia				
	6"	8"	10"	12"	14"
	X	X	X	X	X

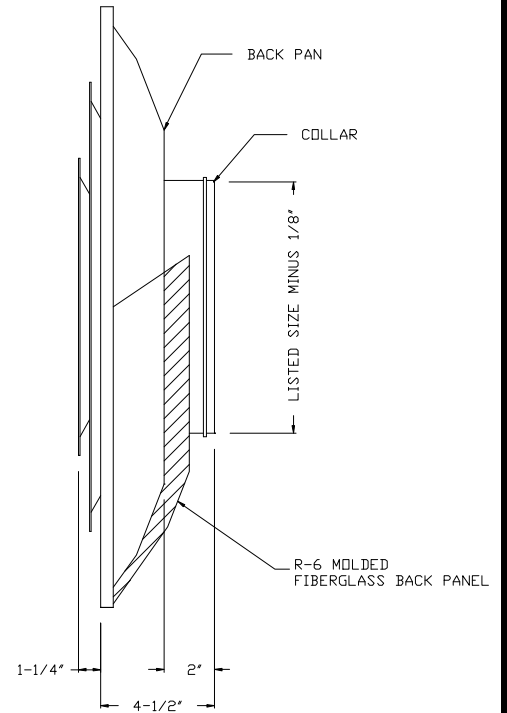
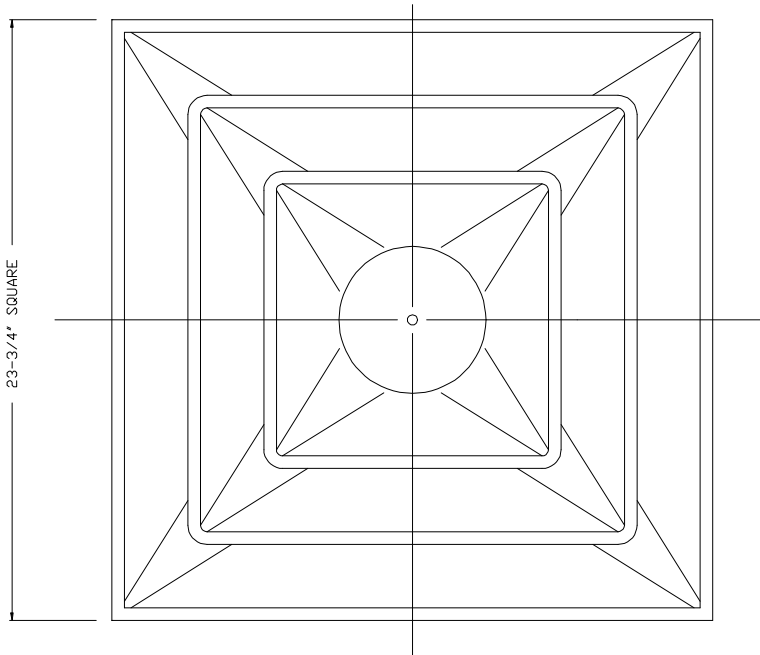
Submittal No.	Revision:	Date: 08/01/2019	Submitted by:	Date submitted:
---------------	-----------	------------------	---------------	-----------------



MODEL S2CD-R6

STEP DOWN CEILING DIFFUSER, 2 CONE W/
R6 MOLDED BACK, T-BAR STEEL

1. STEEL CONSTRUCTION
2. 24" x 24" T-BAR LAY-IN
3. 2 CONE FIXED DESIGN
4. HIGH CAPACITY PERFORMANCE
5. 2" STANDARD INLET COLLAR WITH INTEGRAL BEAD FOR FLEX DUCT RETENTION
6. COLLARS AVAILABLE FROM 6" TO 14"
7. 360 DEGREE AIR PATTERN
8. INCLUDES R6 MOLDED FIBERGLASS BACK
9. REMOVABLE CENTER PLUG FOR DAMPER ACCESS
10. WHITE FINISH



S2CD-R6					
Module 24x24	Dia				
		6"	8"	10"	12"
	X	X	X	X	X

Submittal No.	Revision:	Date: 08/01/2019	Submitted by:	Date submitted:
---------------	-----------	------------------	---------------	-----------------