

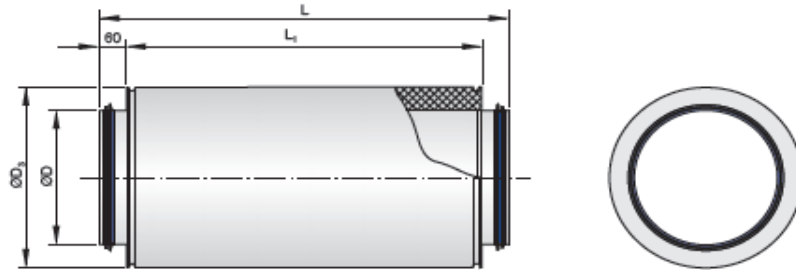


# MODEL RCA

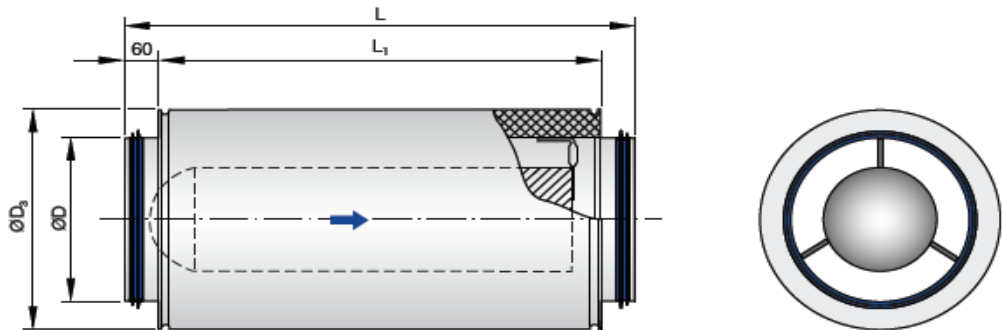
Project:
Tag:
Engineer:
Contractor:
Date:

## Round Sound Attenuators - Circular silencers

RA-Construction with 50-100mm insulated



RB-Construction with 50-100mm insulated



### Standard Dimensions

Connection Diameter		Length		Minimum Casing Gauge
Min	Max	Min	Max	
6	20	24	79	22
6	44	24	120	18
6	60	24	120	16

1. All dimensions are in inches.
2. For sizes outside the standard range, please contact your local sales representative.

As part of our continuous improvement program, we reserve the right to make further improvements without notice.

				Date submitted:
--	--	--	--	-----------------