

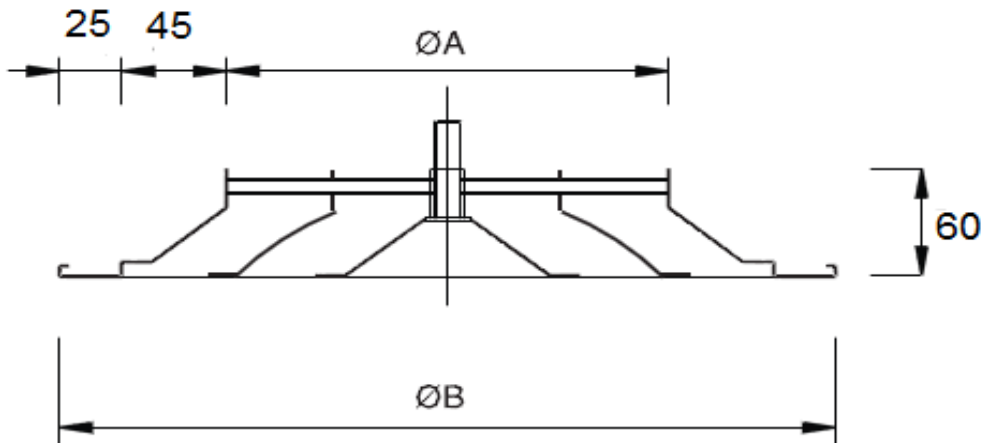


SUBMITAL AND DRAWING
MODEL-BD

REGISTER&GRILLES

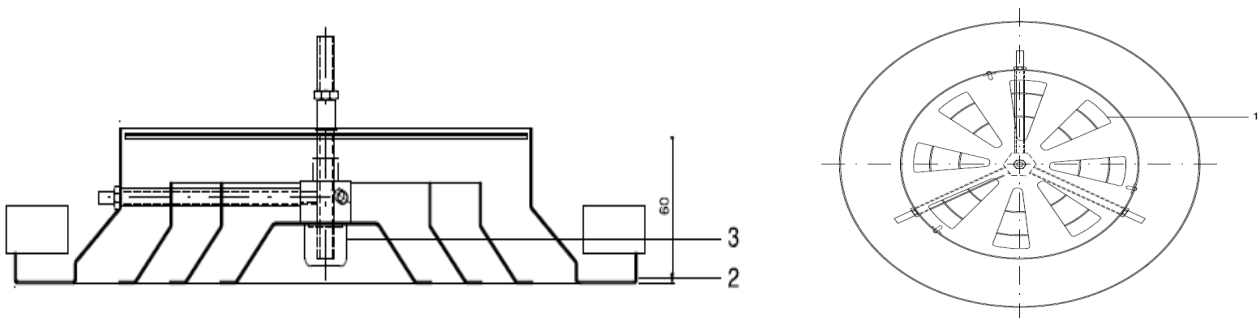
PROJECT :
ENGINEER :
CONTRACTOR :
SUBMITTED BY :
DATE :

CIRCULAR/ROUND CEILING DIFFUSER - BD



Metric System (mm)

Dimensions	150	200	250	300	350	400	450	500	550
ØA	150	200	250	300	350	400	450	500	550
ØB	290	340	390	440	490	540	590	640	690



- 1 - Hit and Miss Damper
- 2 - Circular Ceiling Diffuser
- 3 - Damper Lever

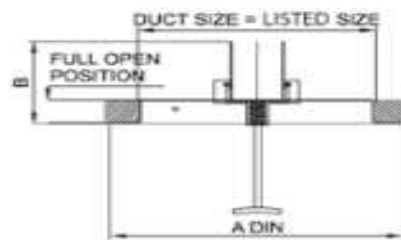
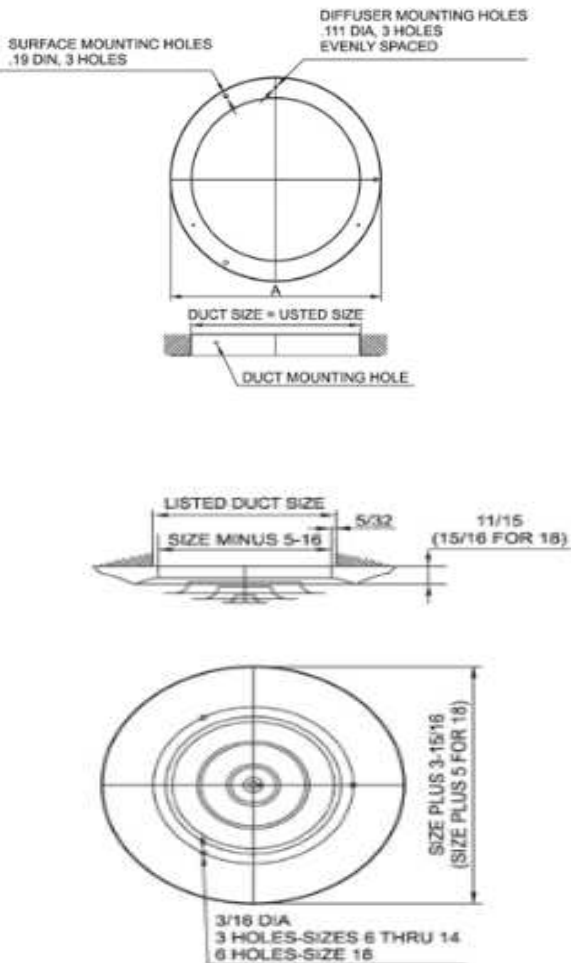
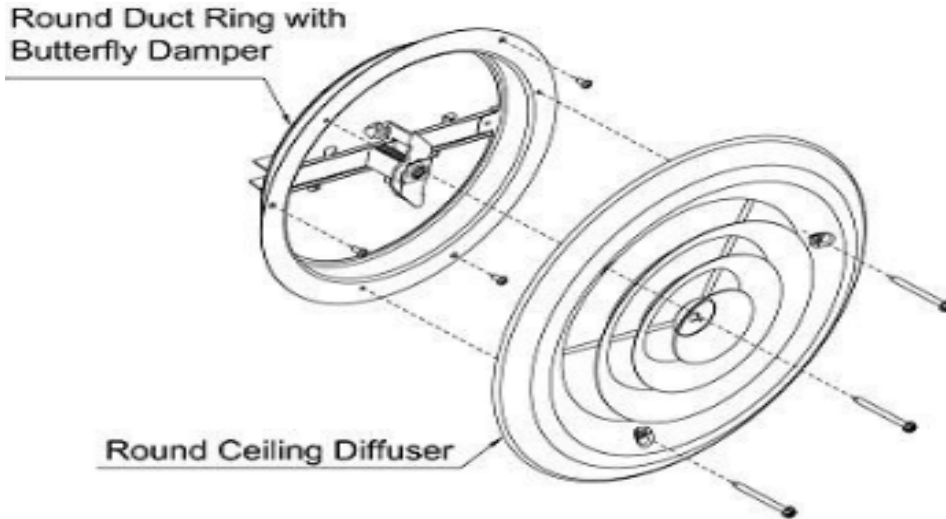


SUBMITAL AND DRAWING
MODEL-CAD

REGISTER&GRILLES

PROJECT :
 ENGINEER :
 CONTRACTOR :
 SUBMITTED BY :
 DATE :

CIRCULAR/ROUND CEILING DIFFUSER - CAD





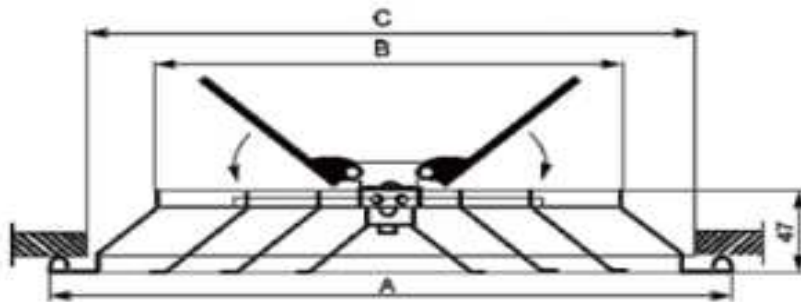
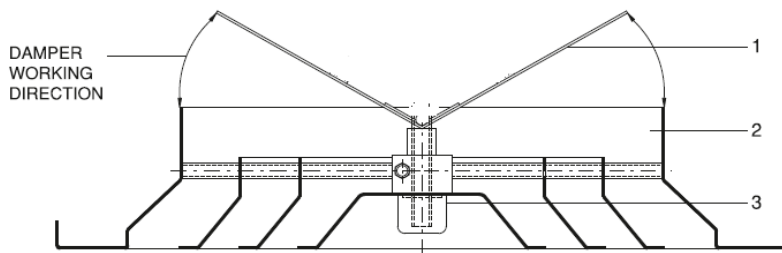
SUBMITAL AND DRAWING
MODEL-CD

REGISTER&GRILLES

PROJECT :
 ENGINEER :
 CONTRACTOR :
 SUBMITTED BY :
 DATE :

CIRCULAR/ROUND CEILING DIFFUSER - CD

- 1-BUTTERFLY DAMPER
- 2-CIRCULAR CEILING DIFFUSER
- 3-DAMPER ADJUST CATCH



CD-RA	A	B	C
150	257	149	225
200	307	199	275
250	357	249	325
300	407	299	375
350	457	349	425

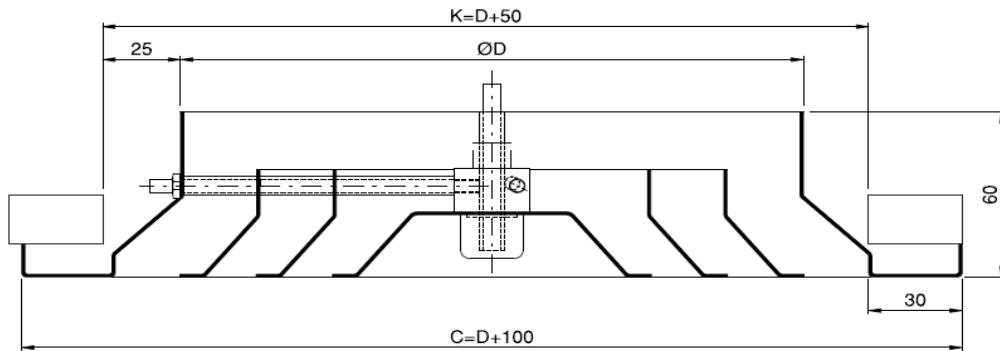
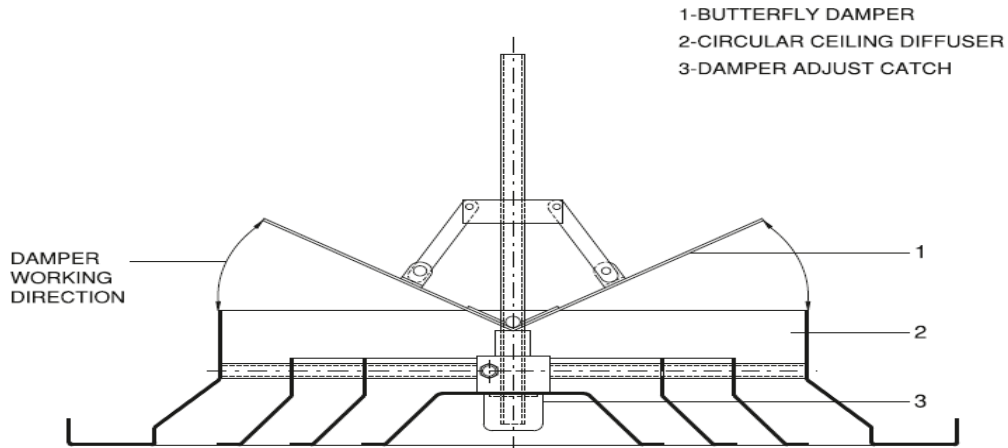


SUBMITAL AND DRAWING
MODEL-YTA

REGISTER&GRILLES

PROJECT :
ENGINEER :
CONTRACTOR :
SUBMITTED BY :
DATE :

CIRCULAR/ROUND CEILING DIFFUSER - YTA



D	100	150	200	250	300	350	400	450	500
K	150	200	250	300	350	400	450	500	550
C	200	250	300	350	400	450	500	550	600