

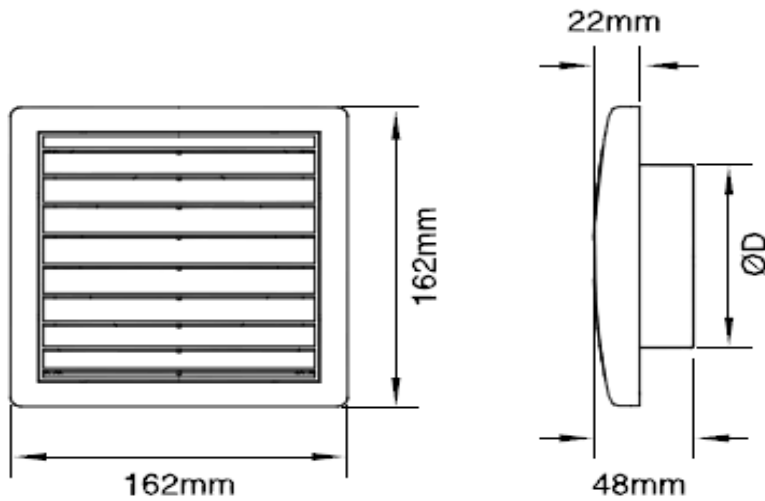


SUBMITAL AND DRAWING  
MODEL-PKLP

REGISTER&GRILLES

PROJECT : .....  
ENGINEER : .....  
CONTRACTOR : .....  
SUBMITTED BY : .....  
DATE : .....

Fixed Diameter: D: Ø100, Ø125 and Ø150mm



Adjustable Diameter: D : Ø94-157mm

