

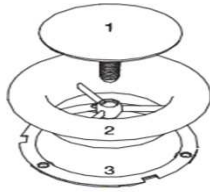


SUBMITAL AND DRAWING
MODEL-PDV

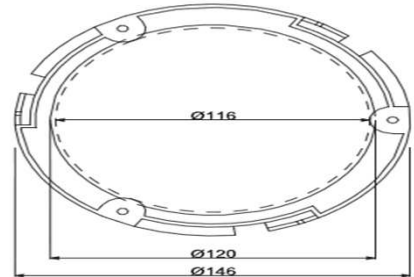
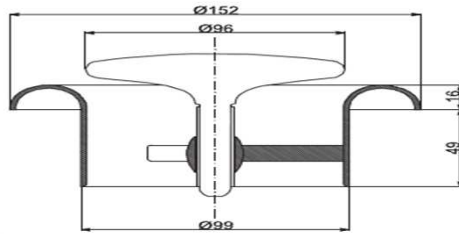
REGISTER&GRILLES

PROJECT :
ENGINEER :
CONTRACTOR :
SUBMITTED BY :
DATE :

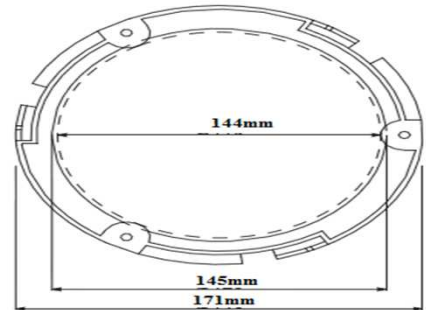
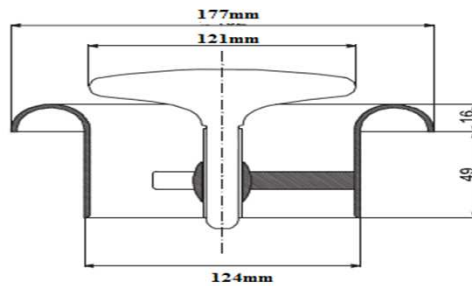
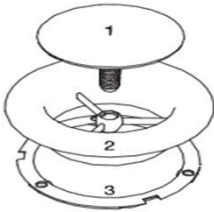
Ø100mm - 4"



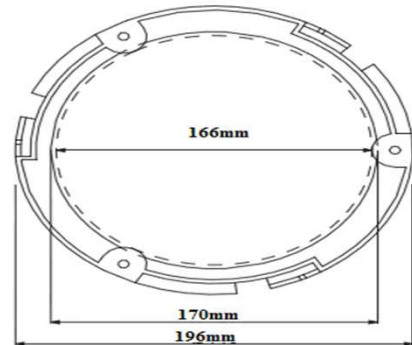
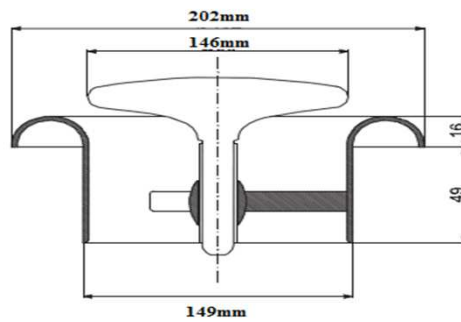
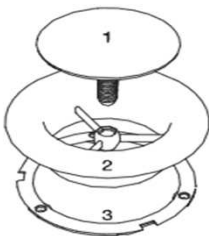
- 1. Cover
- 2. Body
- 3. Mounting Bracelet



Ø125mm - 5"



Ø150mm - 6"



Ø200mm - 8"

