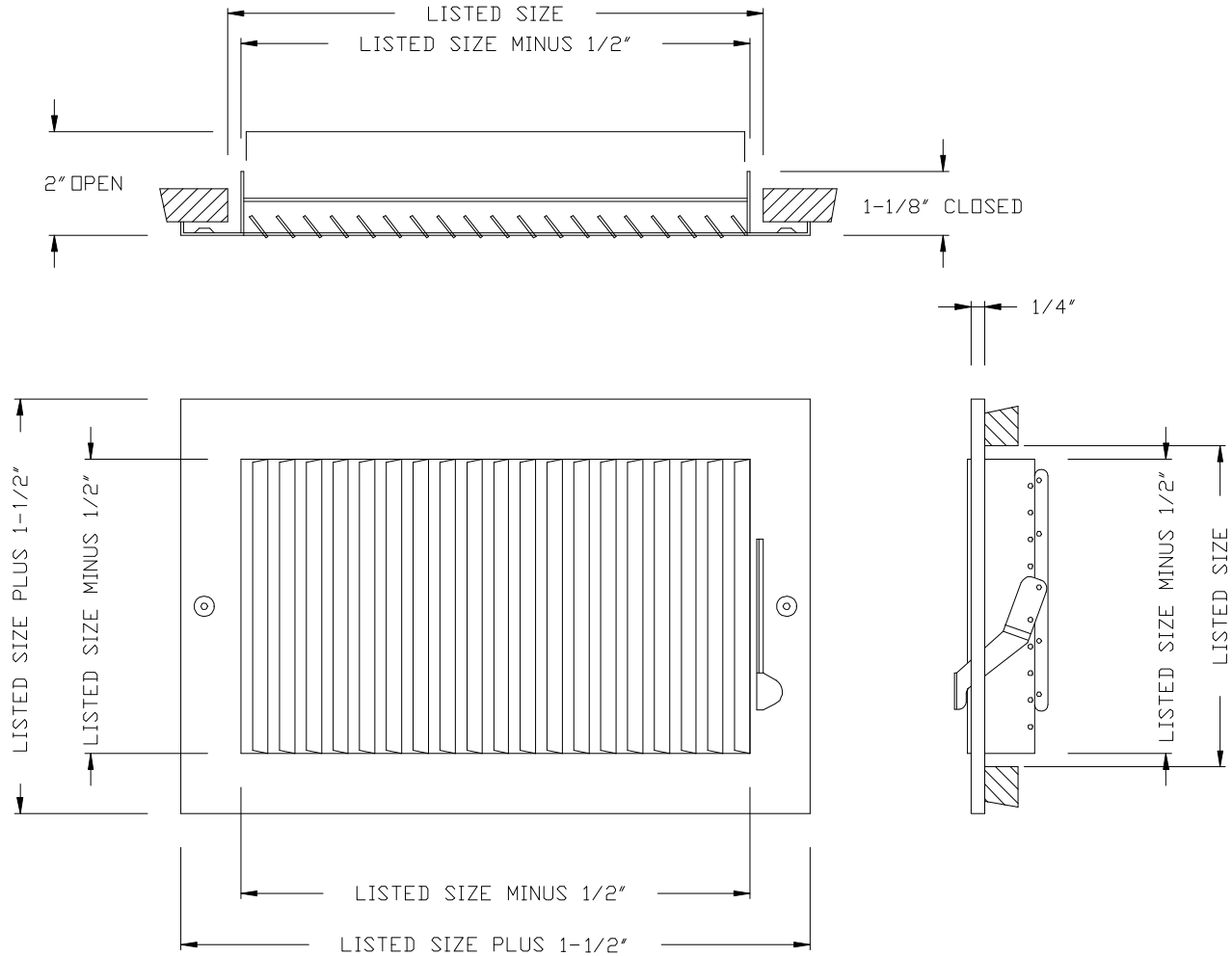


MODEL B11 – 1-WAY STAMPED SIDEWALL SUPPLY

1. STEEL CONSTRUCTION
2. ONE WAY DEFLECTION
3. 1/2" SPACING LANCED FACE
4. MULTI-SHUTTER DAMPER TO CONTROL VOLUME OF AIR FLOW DELIVERED THROUGH THE FACE PANEL
5. RIVETED DAMPER BLADES TO END PANELS
6. STEEL HANDLE OPERATOR
7. COUNTERSUNK MOUNTING HOLES
8. INCLUDES 2" LONG ZIP SCREWS
9. STANDARD RH BLOW PATTERN (FOR LH BLOW PATTERN – ORDER AS 101LM)
10. WHITE FINISH (01)



B11				
Width				
Height	8"	10"	12"	14"
4"	X			
6"		X	X	X

Submittal No. B11

Revision:

Date: 01/01/2019

Submitted by:

Date submitted: