

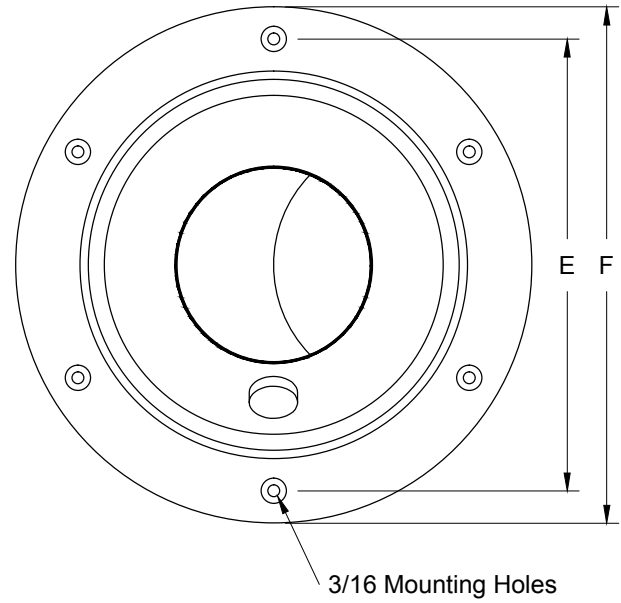
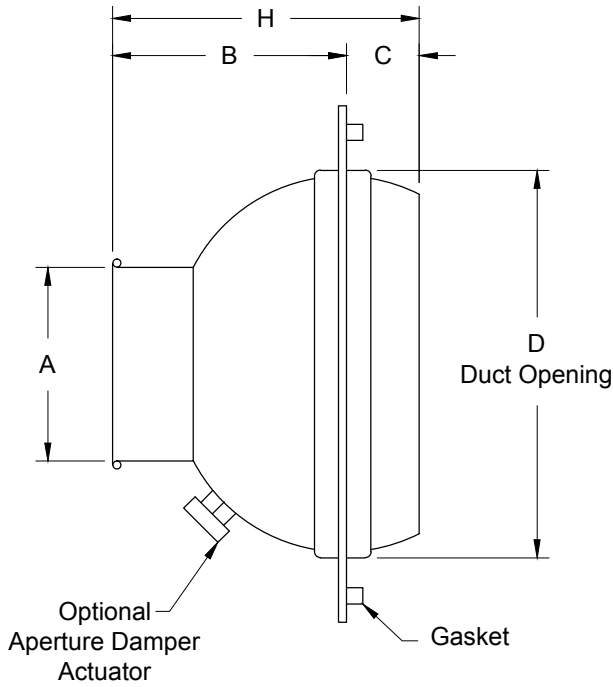
Project:
 Tag:
 Engineer:
 Contractor:
 Date:



Submittal: MPK

**Industrial High Capacity Punkah Louver
 Aluminum - Global Adjustment**

Models: MPK



SIZE	A	B	C	D	E	F	H	No. of Mtg Holes
6	3	3-5/8	1-1/8	6	7	8	4-3/4	4
8	4-3/8	4-5/8	1-3/4	8	9	10	6-1/8	4
10	5-3/4	6-1/4	2-1/2	10	11	12	8-3/4	6
12	7-3/8	6-1/2	3	12	13	14	9-1/2	6
14	8-5/8	7-3/8	4-1/8	14	15	16	11-1/2	6
16	9-3/4	8-1/2	4-5/8	16	17	18	13-1/8	6
18	10-1/2	10	4-5/8	18	19	20	14-5/8	8
20	12-3/8	11	5	20	21	22	16	8

Notes: (check if provided)

1. Available Finishes	2. Available Accessories	3. Available Options	4. Construction Details
Standard Finish: 24 Mill. Optional Finishes (additional charge): 01 White. 04 Clear Anodized. 02 Satin Silver		DA - Aperture Damper	<ul style="list-style-type: none"> Available Only in listed sizes Aluminum Construction