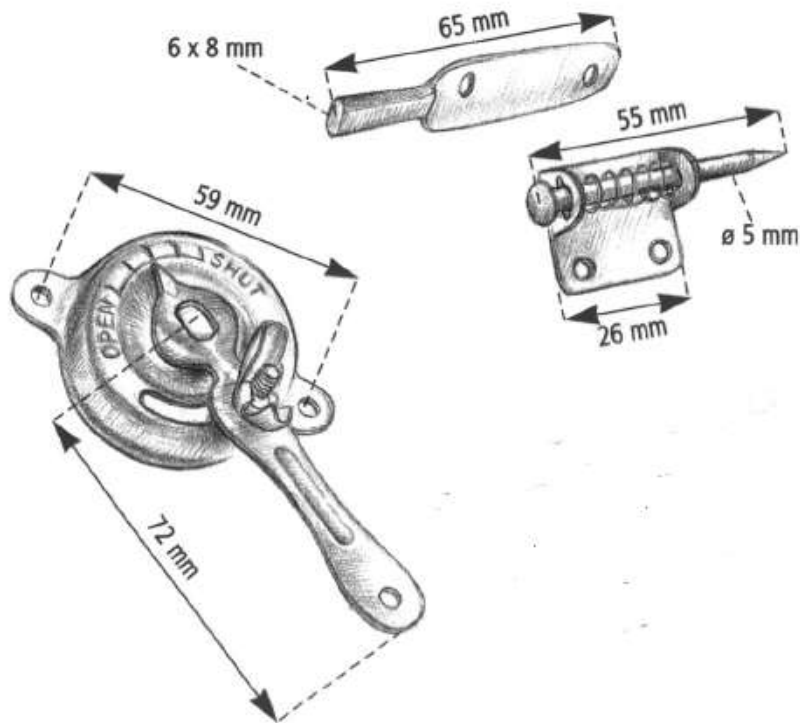
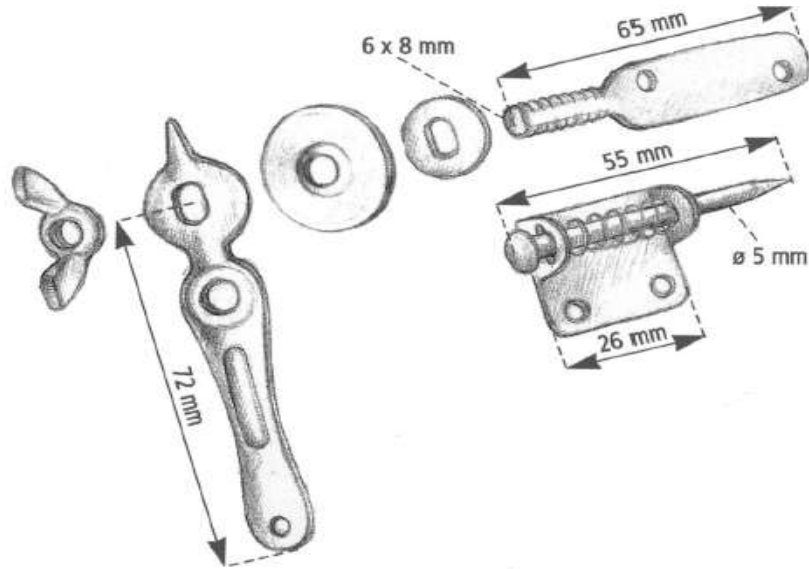




MODEL

Project:
Tag:
Engineer:
Contractor:
Date:

Damper Regulating Hardware



* all dimensions are mm.

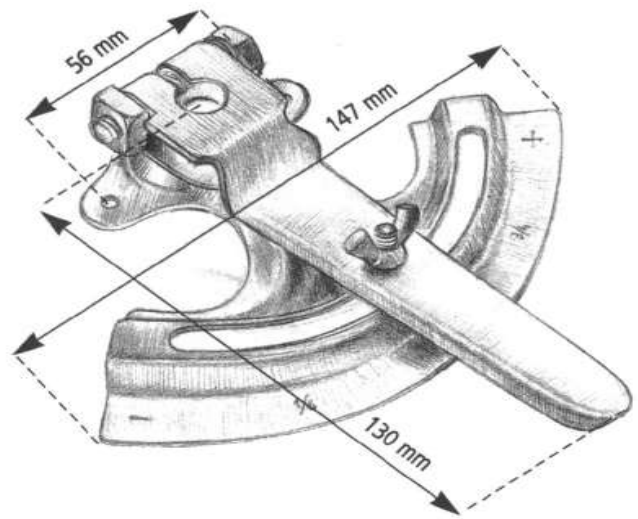
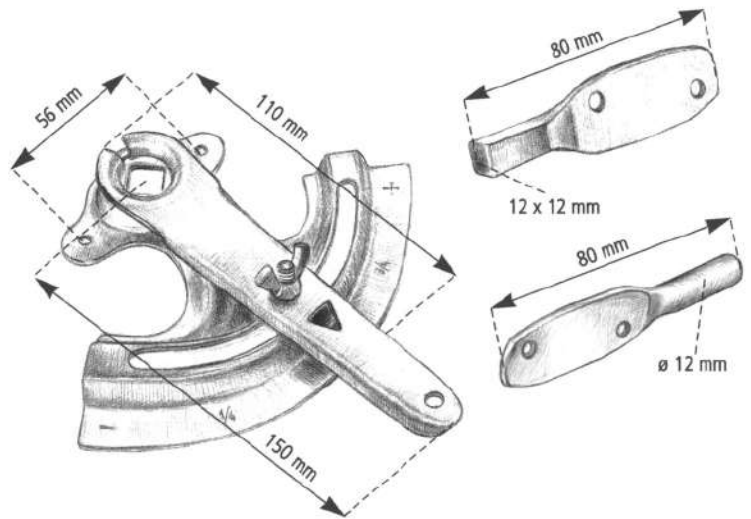
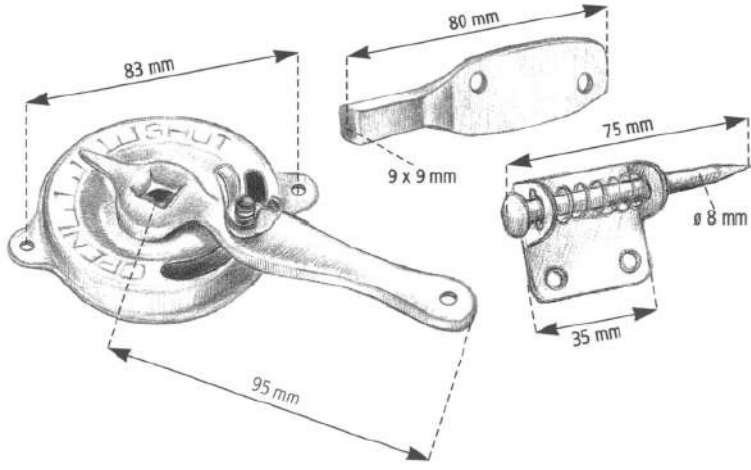
As part of our continuous improvement program, we reserve the right to make further improvements without notice.

				Date submitted:
--	--	--	--	-----------------



MODEL

Project:
Tag:
Engineer:
Contractor:
Date:



As part of our continuous improvement program, we reserve the right to make further improvements without notice.