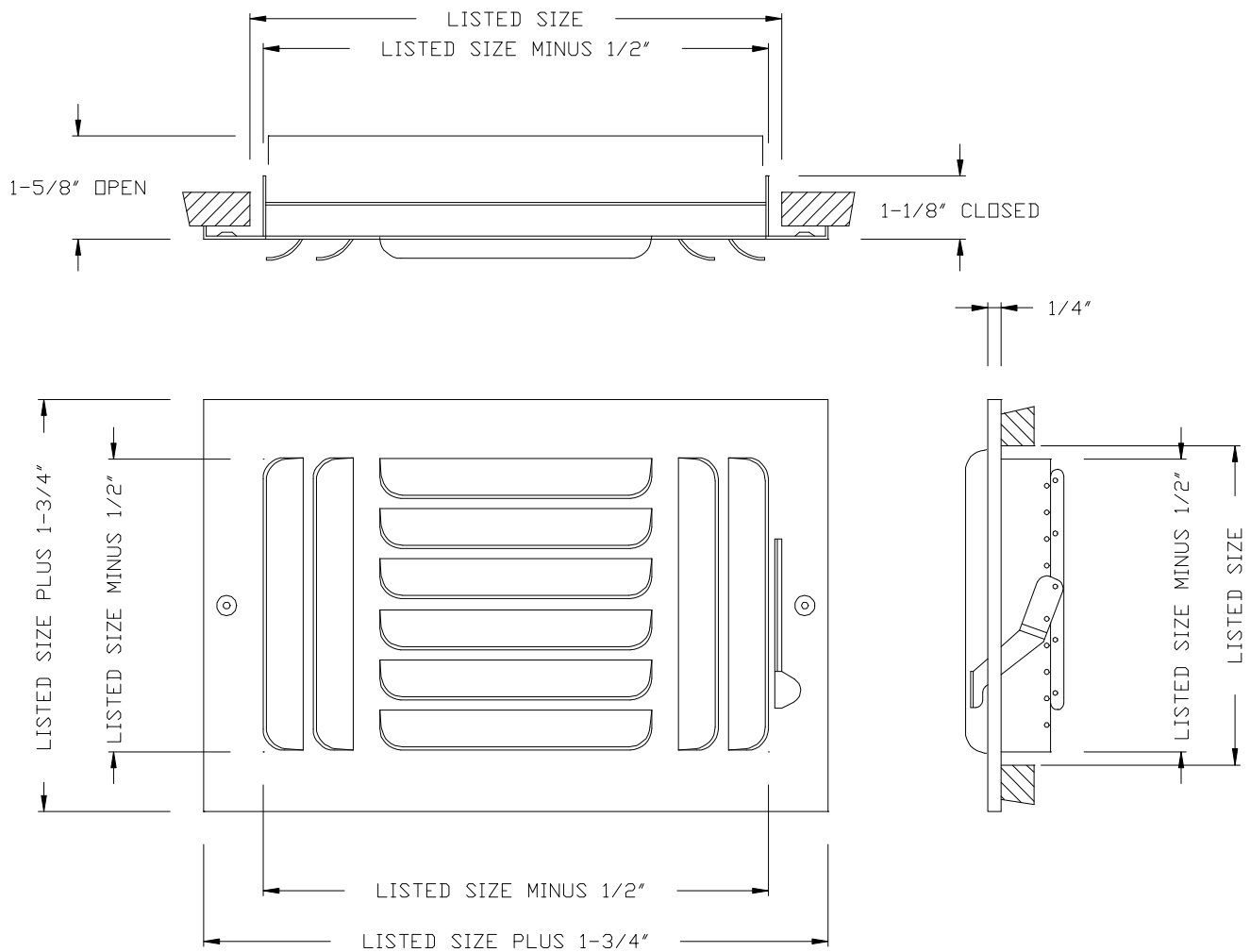


### MODEL 23 – 3-WAY STAMPED SIDEWALL SUPPLY

1. STEEL CONSTRUCTION
2. THREE WAY DEFLECTION
3. STAMPED CURVED BLADE FACE
4. MULTI-SHUTTER DAMPER TO CONTROL VOLUME OF AIR FLOW DELIVERED THROUGH THE FACE PANEL
5. RIVETED DAMPER BLADES TO END PANELS
6. STEEL HANDLE OPERATOR
7. COUNTERSUNK MOUNTING HOLES
8. INCLUDES 2" LONG ZIP SCREWS
9. WHITE FINISH (01)



B23				
Width				
Height	8"	10"	12"	14"
4"	X	X		
6"	X	X	X	X
8"	X	X	X	X
10"		X		
12"			X	

Submittal No. B23	Revision:	Date: 01/01/2019	Submitted by:	Date submitted:
-------------------	-----------	------------------	---------------	-----------------