



REGISTERS & GRILLES

Submittal and Drawing: Model CSF

Submitted by: _____

Date: _____

Stamped Face

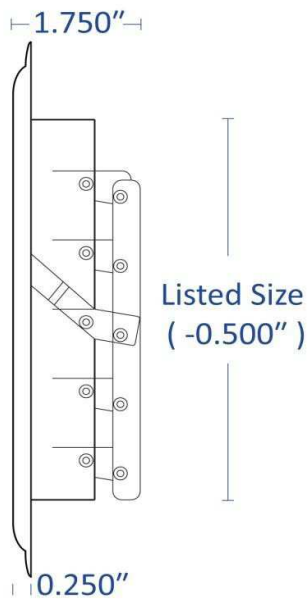
Floor Register

Model:



Available Options

- Brown finish
- White finish



Model Features

- Sturdy all-steel construction
- Multi-shutter damper
- Widespread air diffusion
- Durable powder coat finish
- Wider frame and recessed screw holes

Material: Steel

Face: Stamped

Model Size:

Project Name: _____

Architect: _____

Project Location: _____

Engineer: _____

Contractor: _____