

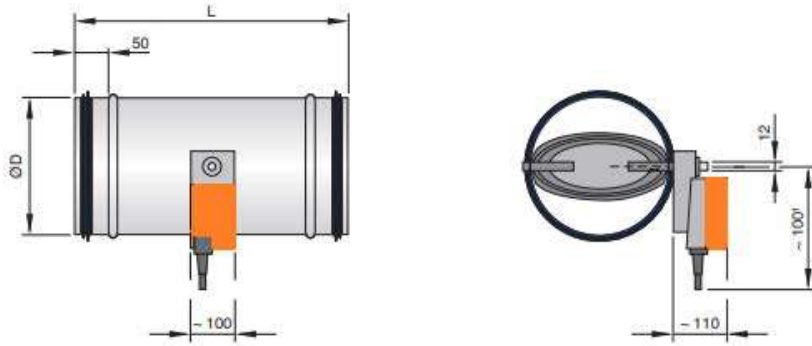


MODEL CCD-M

Project:
Tag:
Engineer:
Contractor:
Date:

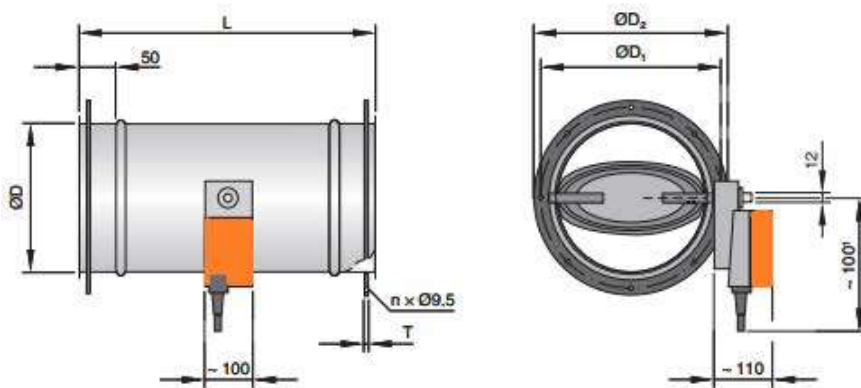
Motorized Circular Control Damper

CCD-M



Nominal size	ØD	
	mm	
100	99	250
125	124	250
160	159	250
200	199	250
250	249	250
315	314	400
400	399	400

CCD-MF



Nominal size	ØD	L	ØD ₁	ØD ₂	n	T
	mm	mm	mm	mm		mm
100	99	230	132	152	4	4
125	124	230	157	177	4	4
160	159	230	192	212	6	4
200	199	230	233	253	6	4
250	249	230	283	303	6	4
315	314	380	352	378	8	4
400	399	380	438	464	8	4

* all dimensions are mm.

As part of our continuous improvement program, we reserve the right to make further improvements without notice.

Date submitted: