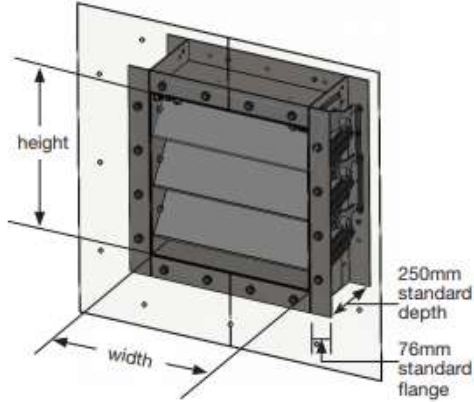




MODEL BD

Project:
Tag:
Engineer:
Contractor:
Date:

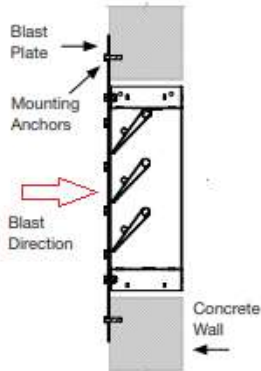
BLAST DAMPERS



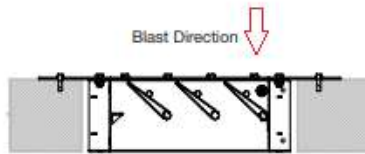
Min. Size* 200mm x 200mm
 Max. Single Section* 1220mm x 1524mm (see graph for blast pressure limitations).
 Max. Multi-Section* 2440mm x 1524mm (subject to blast pressure limitations)

*as measured to inside frame dimensions

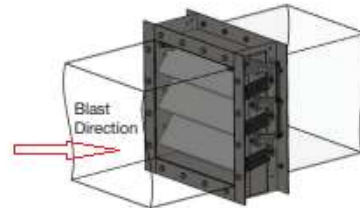
Vertical Mounting



Horizontal Mounting



Duct Mounting



As part of our continuous improvement program, we reserve the right to make further improvements without notice.

Date submitted: